

GHC140

Product Guide

ASME B30.5
Metric 75% and Imperial 75%



Features

- 127 t (140 USt) capacity
- 12,3 - 52,2 m (40.4 ft - 171.3 ft) six-section pin boom
- 15 m (49.3 ft) offsettable bi-fold swingaway
- 100% pick and carry load charts at .3°, 1.5°, and 4°
- Cummins QSB 6.7L Tier 4 final diesel engine
- Rear view, right side and hoist cameras
- High visibility cab with 20° tilt

GROVE GHC140

The GHC140 delivers heavy-duty lifting power and exceptional mid-range and maximum reach, with a boom length of 12,3 m - 52,2 m (40.4 ft – 171.3 ft).

Features

> Comfort redefined

Operator cab is designed to deliver maximum comfort while incorporating conveniently located joystick controls for precise operation. Cab comes equipped with an integrated rated capacity limiter, air suspension seat, color monitor for up to four cameras, and precise climate control. The cab can tilt up to 20° providing the operator additional comfort when working at long boom and extension lengths.



> Travel made easy

Transportation to the job site can easily be accomplished in 3-5 loads. Set up time is minimal thanks to the GHC140's quick self-assembly system for both the counterweight and side frames. Once assembled the strong undercarriage provides 100% pick and carry capability and work up to 4° of inclination. The hydraulically extendable tracks allow for three working gauges for maximum flexibility on the job.



> Strong telescopic boom

The GHC140 comes equipped with a robust pin six-section boom that allows for telescoping under load. The main boom 12,3 m - 52,2 m (40.4 ft - 171.3 ft) of reach. This paired with the standard 15 m (49.3 ft) offsettable bi-fold swingaway extension provides a maximum tip height of 70 m (229.7 ft).



CraneSTAR

> CraneSTAR is an exclusive and innovative crane asset management system

that helps improve your profitability and reduce costs by remotely monitoring critical crane data.

Visit www.cranestar.com for more information.

GHC140 benefits

More productive in more places on the jobsite

The GHC140 delivers unsurpassed maneuverability and versatility.

- Telescoping boom, plus heavy-duty crawler tracks for all-terrain productivity
- Superior gradeability
- High visibility cabs with up to 20° tilt
- Two-speed hydrostatic drive allows for skid steering and counter-rotation capability
- Compact design allows you to work in more places

Rugged durability to tackle all terrain

The GHC140 comes equipped with a durable, powerful crawler system.

- Hydraulically extendable and retractable crawlers
- Heavy-duty, 900 mm (36 in) triple bar, maintenance-free track shoes
- Cummins QSB 6.7L Tier 3 or Tier 4 final diesel engines power through terrain challenges
- Easy self-assembling crawlers

Easy transport to the jobsite and quick assembly

The GHC140 helps you spend less time on the truck and more time on the job.

- Transports to the jobsite in three to five loads
- Retracted gauge for transport width
- Self-assembly counterweight
- Undercarriage frame with jacks for easy self assembly of crawlers
- Excellent serviceability keeps you up and running



Manitowoc Crane Care when you need it.
The assurance of the world's most advanced crane service and support to get you back to work fast.



Manitowoc Finance helps you get right to work generating profits for your business.
Financial tools that help you capitalize on opportunity with solutions that fit your needs.

Contents

- Dimensions 5

- Load programs 7

- Transportation/assembly 8

- Working range/load charts - main boom metric 75% 10

- Load charts - auxiliary boom nose metric 75% 13

- Working range/load charts - extensions metric 75% 14

- Working range/ load charts - main boom imperial 75% 18

- Load charts - auxiliary boom nose imperial 75% 21

- Working range/load charts - extensions imperial 75% 22

- Load handling 26

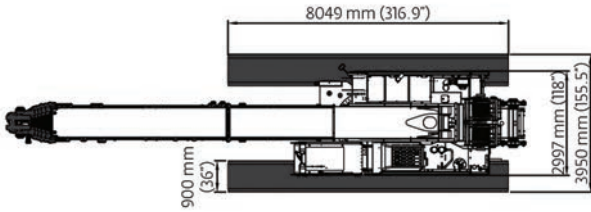
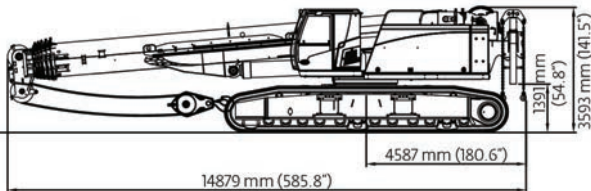
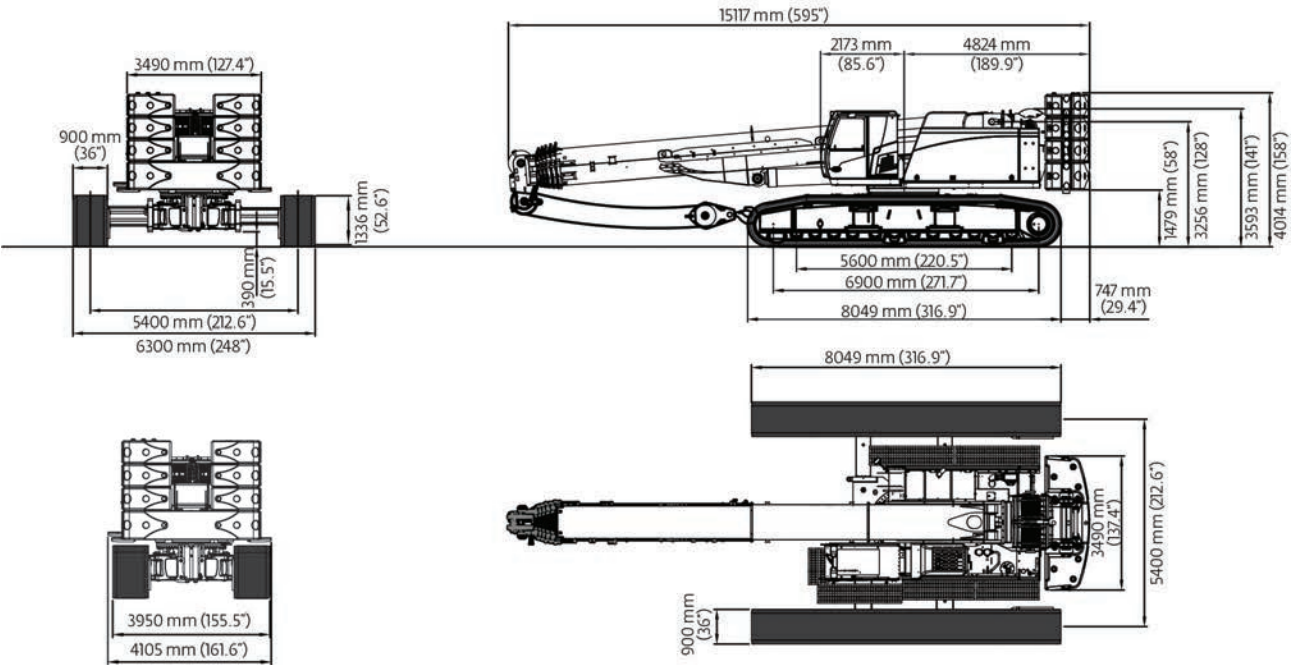
- Specifications 27

- Symbols glossary 29

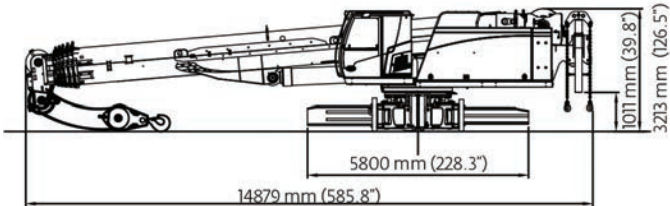
Dimensions

Transport dimensions and weights

Operating weight: approximately 119.2 t (131.4 USt) (two winches, with 15 m (49.2 ft) bi-fold jib, 80 t (88 USt) hook block, 35.3 t (38.9 USt) counterweight and crawlers with 900 mm (35.4 in) triple bar shoes.

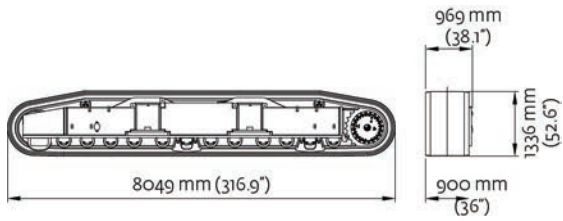


Transport weight: approximately 51,6 t (56.9 USt) (two winches, with 15 m (49.2 ft) bi-fold jib, 80 t (88 USt) hook block)



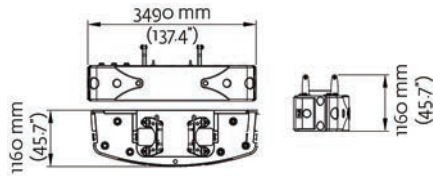
Dimensions

Transport dimensions and weights



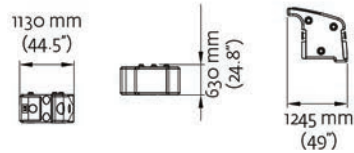
Crawler x 2

16 000 kg
(35,274 lb)



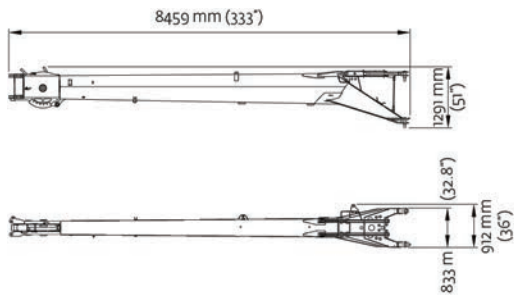
Base plate for counterweight x 1

14 150 kg
(31,195 lb)



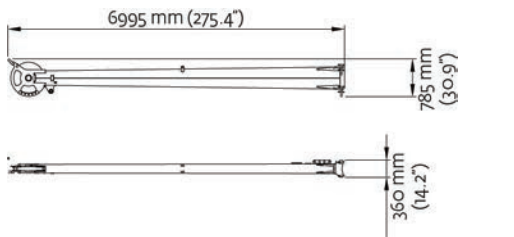
Counterweight x 6

3500 kg
(7,716 lb)



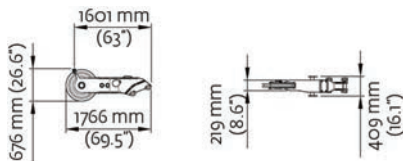
Fly jib - 8 m (26.3 ft)

920 kg
(2,028 lb)



Fly jib extension - 7 m (23 ft)

300 kg
(661 lb)



Auxiliary jib

160 kg
(353 lb)

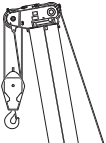
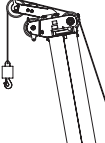
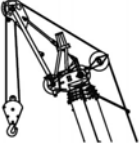

















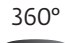
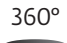




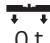














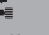
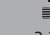





Heavy duty jib

650 kg
(1,433 lb)

Load programs

Working load programs

| | Main boom | | | Auxiliary boom nose | | | Heavy Duty jib 3 m (10 ft) | | |
|---|--|--|--|--|--|--|--|--|--|
| |  | | |  | | |  | | |
| Undercarriage track width (centerline to centerline of crawlers) |  5,4 m (17.7 ft) |  4,2 m (13.8 ft) |  3,1 m (10.0 ft) |  5,4 m (17.7 ft) |  4,2 m (13.8 ft) |  3,1 m (10.0 ft) |  5,4 m (17.7 ft) |  4,2 m (13.8 ft) |  3,1 m (10.0 ft) |
| Counterweight | | | | | | | | | |
|  35,3 t (77,836 lb) | 360°  | 360°  | — | 360°  | 360°  | — | 360°  | 360°  | — |
|  21,3 t (46,966 lb) | 360°  | 360°  | — | 360°  | 360°  | — | 360°  | 360°  | — |
|  0 t | 360°  | 360°  | 360°  | 360°  | 360°  | 360°  | 360°  | 360°  | — |

| | Boom extension 8 m (26.3 ft) | | | Boom extension with fly jib 15 m (49.3 ft) | | |
|---|--|--|--|--|--|--|
| |  | | |  | | |
| Undercarriage track width (centerline to centerline of crawlers) |  5,4 m (17.7 ft) |  4,2 m (13.8 ft) |  3,1 m (10.0 ft) |  5,4 m (17.7 ft) |  4,2 m (13.8 ft) |  3,1 m (10.0 ft) |
| Counterweight | | | | | | |
|  35,3 t (77,836 lb) | 360°  | — | — | 360°  | — | — |

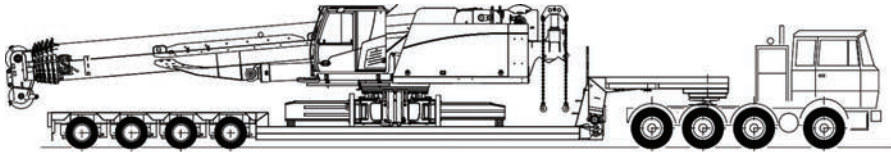
Note:

Safe working loads are available for 0.3°, 1.5° and 4° inclines.

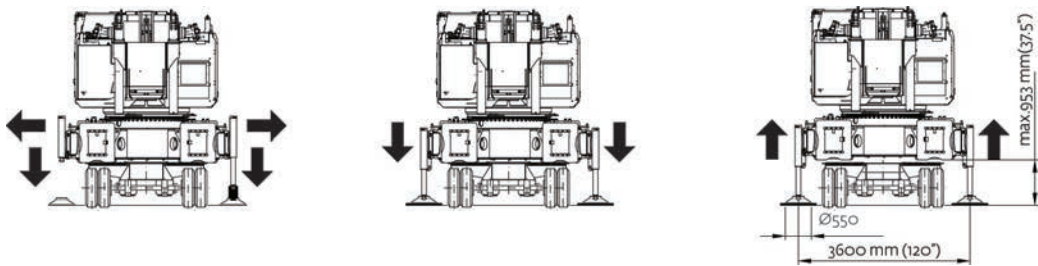
*THIS CHART IS ONLY A GUIDE AND SHOULD NOT BE USED TO OPERATE THE CRANE.
The individual crane's load chart, operating instructions and other instructional plates must be read and understood prior to operating the crane.*

Transportation / assembly

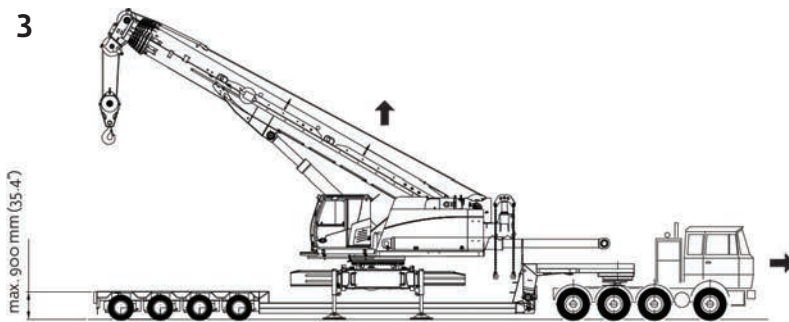
1



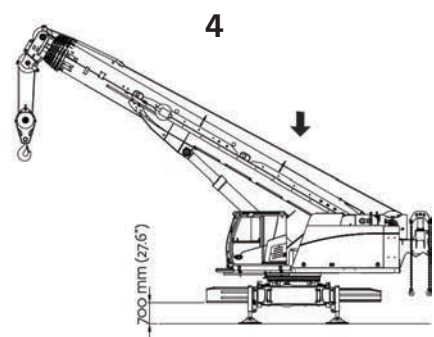
2



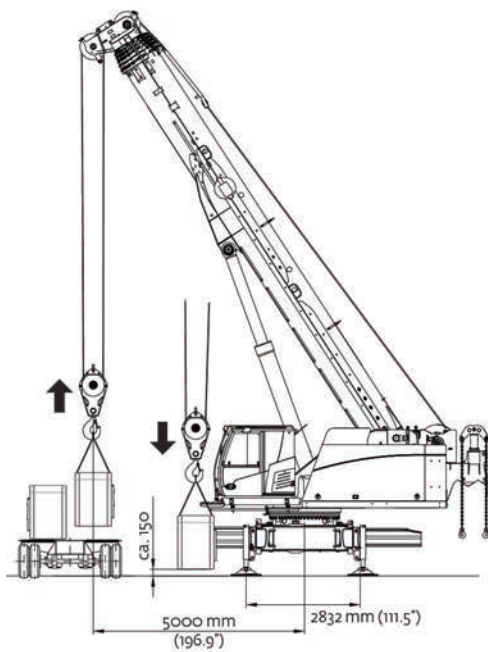
3



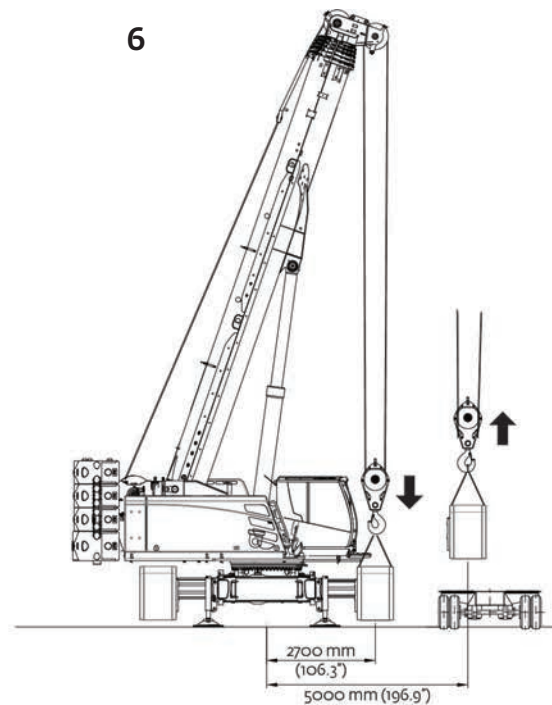
4



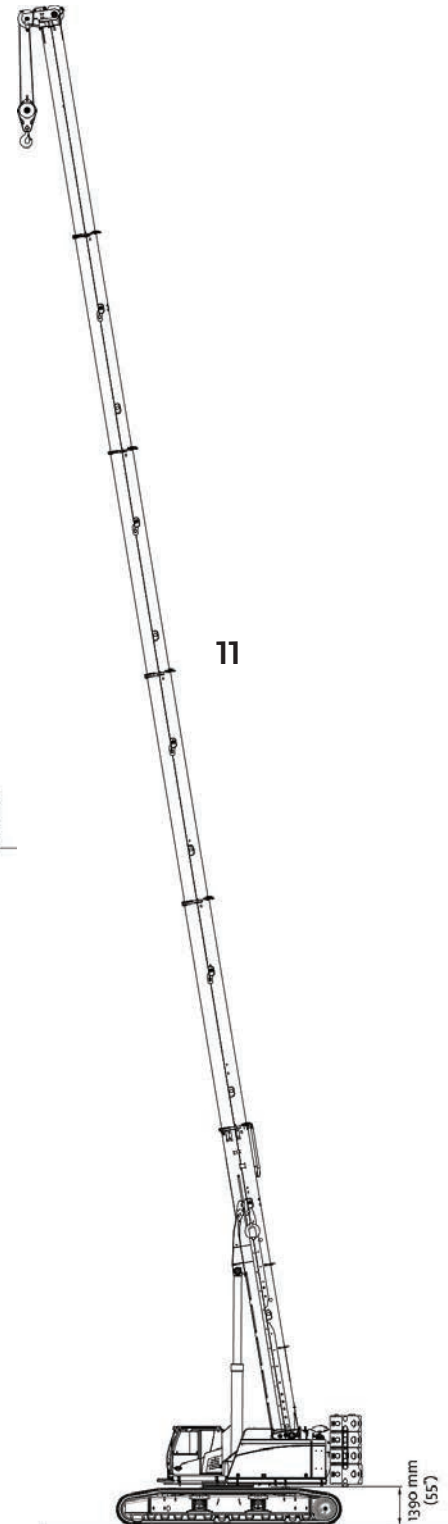
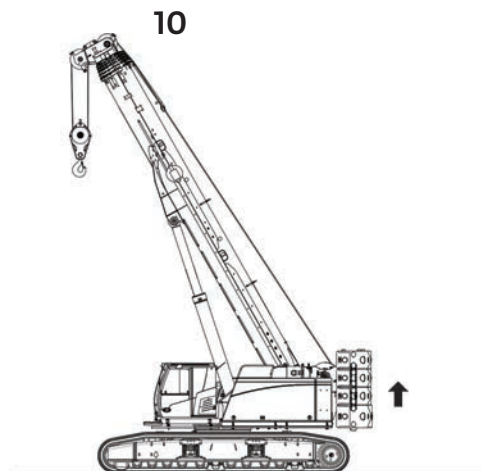
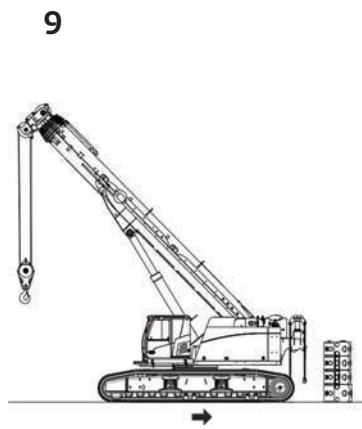
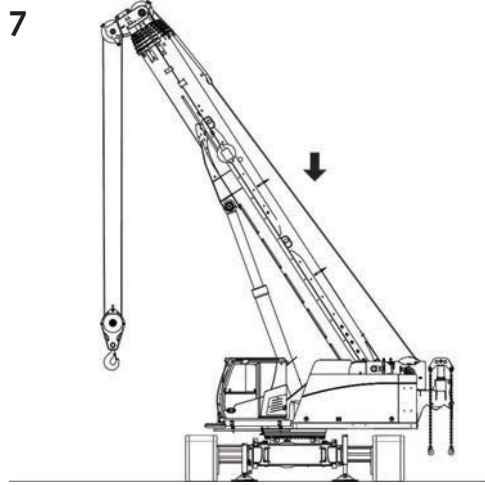
5



6



Transportation / assembly

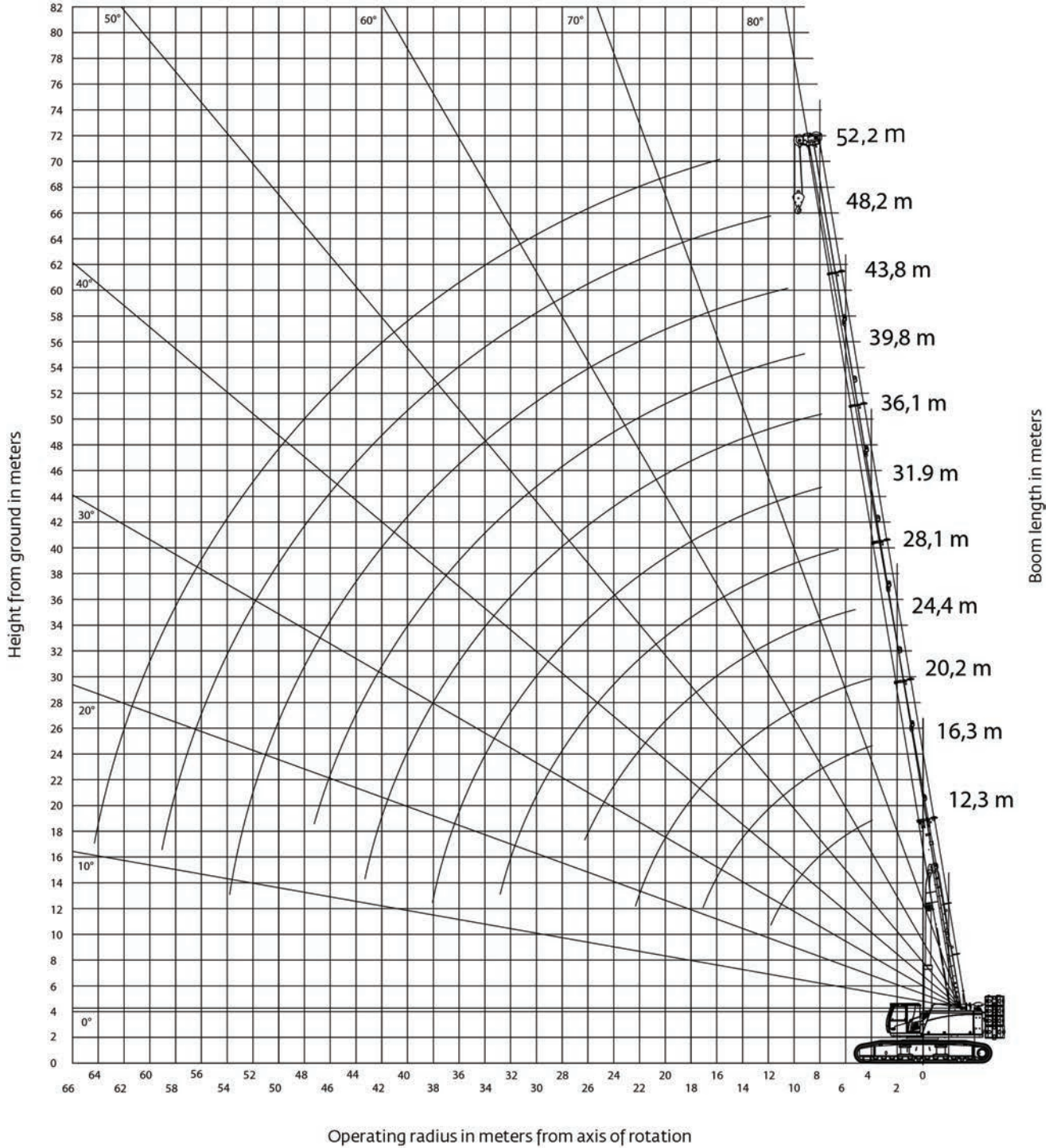


Working range

Main boom - metric 75%

Main boom

(BOOM DEFLECTION NOT SHOWN)



THIS CHART IS ONLY A GUIDE AND SHOULD NOT BE USED TO OPERATE THE CRANE.

The individual crane's load chart, operating instructions and other instructional plates must be read and understood prior to operating the crane.

Load chart

Main boom - metric 75%



52,2 m



35,3 t



100%



360°



0.3°



Kilograms

| Radius [m] | Main boom length [m] | | | | | | | | | | | |
|------------|----------------------|--------|--------|--------|--------|--------|--------|--------|--------|--------|--------|--|
| | 12,3 | 16,3 | 20 | 24 | 28 | 32 | 36 | 40 | 44 | 48,2 | 52,2 | |
| 3 | 127 000* | 80 000 | 75 000 | | | | | | | | | |
| 4 | 111 000* | 76 000 | 68 000 | 66 000 | 42 000 | | | | | | | |
| 5 | 90 000 | 72 000 | 65 000 | 58 000 | 55 000 | | | | | | | |
| 6 | 74 000 | 68 000 | 60 000 | 56 000 | 49 000 | 46 000 | 35 000 | | | | | |
| 7 | 62 000 | 62 000 | 57 000 | 53 000 | 47 000 | 42 000 | 33 000 | 25 000 | | | | |
| 8 | 53 000 | 54 000 | 52 300 | 48 000 | 46 000 | 40 000 | 31 000 | 24 000 | 19 100 | | | |
| 9 | 47 000 | 47 600 | 48 000 | 45 900 | 43 000 | 39 000 | 29 500 | 23 000 | 18 600 | 14 500 | | |
| 10 | | 42 200 | 42 600 | 42 400 | 40 000 | 37 000 | 28 000 | 21 000 | 18 400 | 14 400 | | |
| 12 | | 32 400 | 34 000 | 34 200 | 33 900 | 33 000 | 25 400 | 19 000 | 16 600 | 14 200 | 11 800 | |
| 14 | | 23 000 | 27 300 | 27 400 | 27 100 | 25 500 | 23 000 | 17 500 | 15 200 | 14 000 | 11 500 | |
| 16 | | | 22 400 | 22 500 | 22 300 | 21 000 | 21 200 | 16 000 | 14 100 | 13 300 | 11 300 | |
| 18 | | | | 18 900 | 18 700 | 17 000 | 17 800 | 15 000 | 12 700 | 12 500 | 11 100 | |
| 20 | | | | 16 200 | 15 900 | 15 000 | 15 100 | 14 000 | 11 800 | 11 700 | 10 900 | |
| 22 | | | | | 13 800 | 13 000 | 12 900 | 13 000 | 11 100 | 10 800 | 10 500 | |
| 24 | | | | | 12 000 | 11 000 | 11 100 | 12 000 | 10 400 | 10 000 | 9 900 | |
| 26 | | | | | | 9 500 | 9 900 | 11 000 | 9 800 | 9 500 | 9 300 | |
| 28 | | | | | | 8 500 | 9 400 | 9 500 | 9 200 | 8 900 | 8 700 | |
| 30 | | | | | | | 8 900 | 8 500 | 8 700 | 8 400 | 8 000 | |
| 32 | | | | | | | 7 800 | 7 700 | 7 500 | 7 600 | 7 100 | |
| 34 | | | | | | | | 6 900 | 7 000 | 6 800 | 6 300 | |
| 36 | | | | | | | | 6 300 | 6 500 | 6 100 | 5 600 | |
| 38 | | | | | | | | | 5 800 | 5 500 | 4 900 | |
| 40 | | | | | | | | | 5 300 | 4 900 | 4 300 | |
| 42 | | | | | | | | | | 4 200 | 3 800 | |
| 44 | | | | | | | | | | 3 900 | 3 300 | |
| 46 | | | | | | | | | | | 2 900 | |
| 48 | | | | | | | | | | | 2 400 | |

* Valid with special equipment

THIS CHART IS ONLY A GUIDE AND SHOULD NOT BE USED TO OPERATE THE CRANE.
The individual crane's load chart, operating instructions and other instructional plates must be read and understood prior to operating the crane.

Load chart

Main boom - metric 75%



52,2 m



35,3 t



100%



360°



1.5°



Kilograms

| Radius [m] | Main boom length [m] | | | | | | | | | | |
|------------|----------------------|--------|--------|--------|--------|--------|--------|--------|--------|--------|-------|
| | 12,3 | 16 | 20 | 24 | 28 | 32 | 36 | 40 | 44 | 48 | 52,2 |
| 3 | 85 000 | 64 000 | 54 000 | | | | | | | | |
| 4 | 80 000 | 64 000 | 57 000 | 50 000 | 42 000 | | | | | | |
| 5 | 75 000 | 64 000 | 57 000 | 50 000 | 45 000 | | | | | | |
| 6 | 70 000 | 64 000 | 57 000 | 50 000 | 45 000 | 35 000 | 30 500 | | | | |
| 7 | 62 000 | 58 000 | 57 000 | 48 000 | 44 000 | 35 000 | 30 000 | 19 500 | | | |
| 8 | 53 000 | 54 000 | 52 300 | 47 400 | 43 000 | 35 000 | 29 000 | 19 000 | 15 300 | | |
| 9 | 47 000 | 47 600 | 48 000 | 45 900 | 41 000 | 35 000 | 28 000 | 18 500 | 15 300 | 11 000 | |
| 10 | | 42 200 | 42 600 | 42 400 | 39 000 | 34 000 | 27 000 | 18 300 | 15 300 | 11 000 | |
| 12 | | 32 400 | 34 000 | 34 200 | 33 900 | 32 000 | 25 100 | 17 700 | 14 800 | 11 000 | 9 000 |
| 14 | | 23 000 | 27 300 | 27 400 | 27 100 | 25 500 | 23 000 | 16 500 | 14 500 | 11 000 | 9 000 |
| 16 | | | 22 400 | 22 500 | 22 300 | 21 000 | 20 500 | 15 300 | 13 700 | 11 000 | 9 000 |
| 18 | | | | 18 900 | 18 700 | 17 000 | 17 800 | 14 200 | 12 700 | 11 000 | 9 000 |
| 20 | | | | 16 200 | 15 900 | 15 000 | 15 100 | 13 200 | 11 800 | 11 000 | 8 900 |
| 22 | | | | | 13 800 | 13 000 | 12 900 | 12 400 | 11 100 | 10 800 | 8 800 |
| 24 | | | | | 12 000 | 11 000 | 11 100 | 11 700 | 10 400 | 10 000 | 8 600 |
| 26 | | | | | | 9 500 | 10 000 | 11 000 | 9 800 | 9 500 | 8 500 |
| 28 | | | | | | 8 500 | 9 400 | 9 500 | 9 200 | 8 900 | 8 200 |
| 30 | | | | | | | 8 900 | 8 500 | 8 700 | 8 400 | 8 000 |
| 32 | | | | | | | 7 800 | 7 700 | 7 500 | 7 600 | 7 100 |
| 34 | | | | | | | 3 000 | 6 900 | 7 000 | 6 800 | 6 300 |
| 36 | | | | | | | | 6 300 | 6 500 | 6 100 | 5 600 |
| 38 | | | | | | | | | 5 800 | 5 500 | 4 900 |
| 40 | | | | | | | | | 5 300 | 4 900 | 4 300 |
| 42 | | | | | | | | | | 4 200 | 3 800 |
| 44 | | | | | | | | | | 3 900 | 3 300 |
| 46 | | | | | | | | | | | 2 900 |
| 48 | | | | | | | | | | | 2 400 |

THIS CHART IS ONLY A GUIDE AND SHOULD NOT BE USED TO OPERATE THE CRANE.

The individual crane's load chart, operating instructions and other instructional plates must be read and understood prior to operating the crane.

Load chart

Auxiliary boom nose - metric 75%



52,2 m



With auxiliary boom nose



35,3 t



100%



360°



1.5°



Kilograms

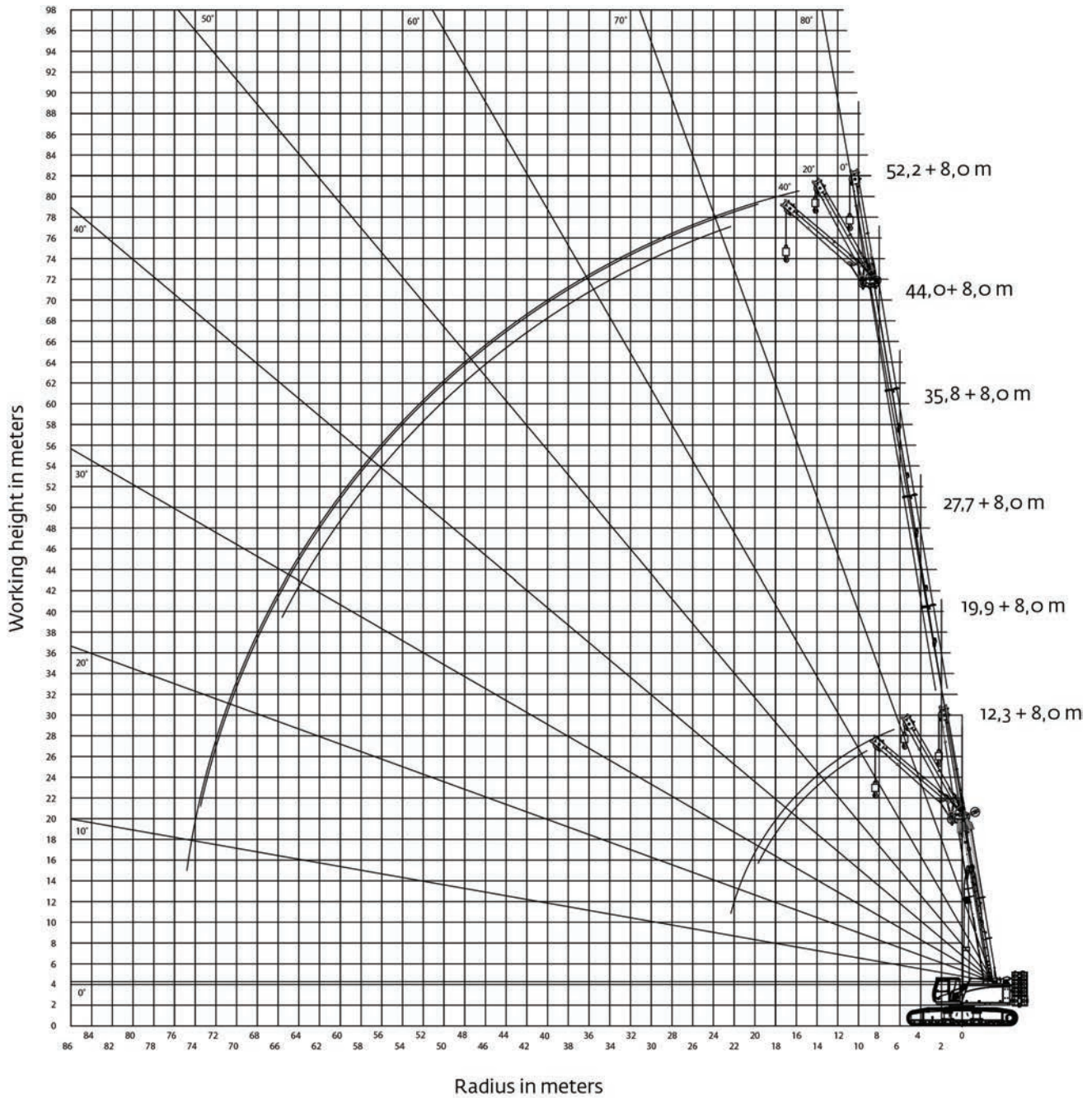
| Radius [m] | Main boom length [m] | | | | | | | | | | |
|------------|----------------------|--------|--------|--------|--------|--------|--------|--------|--------|--------|-------|
| | 12,3 | 16,3 | 20,0 | 23,6 | 27,7 | 31,8 | 35,8 | 39,6 | 44,1 | 48,2 | 52,2 |
| 3 | 12 500 | 12 500 | 12 500 | | | | | | | | |
| 4 | 12 500 | 12 500 | 12 500 | 12 500 | 12 500 | | | | | | |
| 5 | 12 500 | 12 500 | 12 500 | 12 500 | 12 500 | 12 500 | | | | | |
| 6 | 12 500 | 12 500 | 12 500 | 12 500 | 12 500 | 12 500 | 12 500 | | | | |
| 7 | 12 500 | 12 500 | 12 500 | 12 500 | 12 500 | 12 500 | 12 500 | 12 500 | | | |
| 8 | 12 500 | 12 500 | 12 500 | 12 500 | 12 500 | 12 500 | 12 500 | 12 500 | 12 500 | | |
| 9 | 12 500 | 12 500 | 12 500 | 12 500 | 12 500 | 12 500 | 12 500 | 12 500 | 12 500 | 11 000 | |
| 10 | | 12 500 | 12 500 | 12 500 | 12 500 | 12 500 | 12 500 | 12 500 | 12 500 | 11 000 | |
| 12 | | 12 500 | 12 500 | 12 500 | 12 500 | 12 500 | 12 500 | 12 500 | 12 500 | 11 000 | 9 000 |
| 14 | | 12 500 | 12 500 | 12 500 | 12 500 | 12 500 | 12 500 | 12 500 | 12 500 | 11 000 | 9 000 |
| 16 | | | 12 500 | 12 500 | 12 500 | 12 500 | 12 500 | 12 500 | 12 500 | 11 000 | 9 000 |
| 18 | | | 12 500 | 12 500 | 12 500 | 12 500 | 12 500 | 12 500 | 12 500 | 11 000 | 9 000 |
| 20 | | | | 12 500 | 12 500 | 12 500 | 12 500 | 12 500 | 11 800 | 11 000 | 8 900 |
| 22 | | | | 12 500 | 12 500 | 12 500 | 12 500 | 12 400 | 11 100 | 10 800 | 8 800 |
| 24 | | | | | 12 000 | 11 000 | 11 100 | 11 700 | 10 400 | 10 000 | 8 600 |
| 26 | | | | | | 9 500 | 10 000 | 11 000 | 9 800 | 9 500 | 8 500 |
| 28 | | | | | | 8 500 | 9 400 | 9 500 | 9 200 | 8 900 | 8 200 |
| 30 | | | | | | | 8 900 | 8 500 | 8 700 | 8 400 | 8 000 |
| 32 | | | | | | | 7 800 | 7 700 | 7 500 | 7 600 | 7 100 |
| 34 | | | | | | | 3 000 | 6 900 | 7 000 | 6 800 | 6 300 |
| 36 | | | | | | | | 6 300 | 6 500 | 6 100 | 5 600 |
| 38 | | | | | | | | | 5 800 | 5 500 | 4 900 |
| 40 | | | | | | | | | 5 300 | 4 900 | 4 300 |
| 42 | | | | | | | | | | 4 200 | 3 800 |
| 44 | | | | | | | | | | 3 900 | 3 300 |
| 46 | | | | | | | | | | | 2 900 |
| 48 | | | | | | | | | | | 2 400 |

THIS CHART IS ONLY A GUIDE AND SHOULD NOT BE USED TO OPERATE THE CRANE.
The individual crane's load chart, operating instructions and other instructional plates must be read and understood prior to operating the crane.

Working range

Extensions - metric 75%

Main boom with extensions



THIS CHART IS ONLY A GUIDE AND SHOULD NOT BE USED TO OPERATE THE CRANE.

The individual crane's load chart, operating instructions and other instructional plates must be read and understood prior to operating the crane.

Load chart

Extensions - metric 75%



52,2 m



8 m



35 t



100%



360°



0.3°



Kilograms

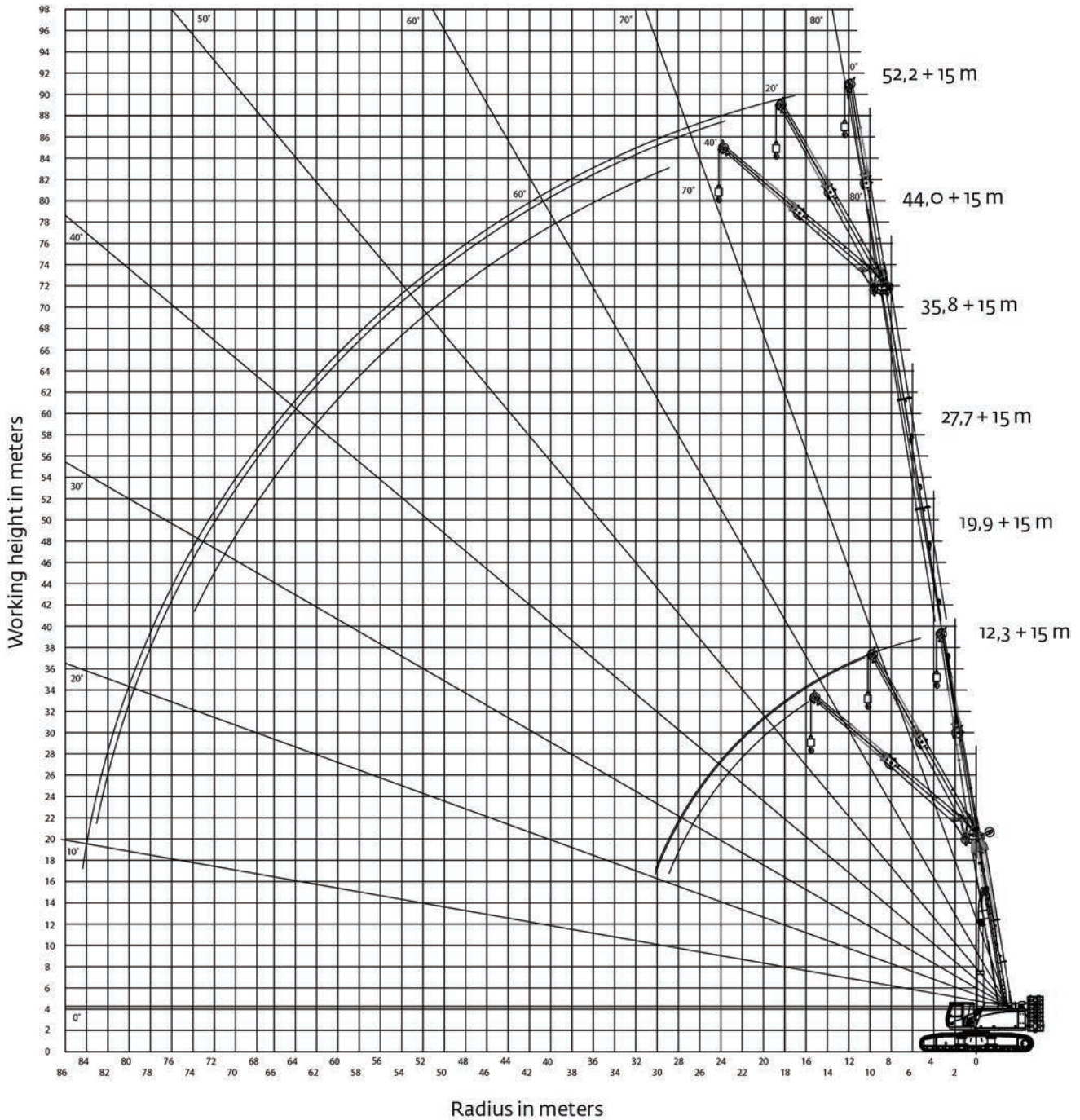
| Radius [m] | Main boom length [m] | | | | | | | | | | | | | | | | | |
|------------|----------------------|--------|-------|--------|-------|-------|--------|-------|-------|--------|-------|-------|-------|-------|-------|-------|-------|-------|
| | 12,3 | | | 19,9 | | | 27,7 | | | 35,8 | | | 44,0 | | | 52,2 | | |
| | 0° | 20° | 40° | 0° | 20° | 40° | 0° | 20° | 40° | 0° | 20° | 40° | 0° | 20° | 40° | 0° | 20° | 40° |
| 5 | 14 200 | 10 300 | | 14 900 | | | 14 000 | | | | | | | | | | | |
| 6 | 12 900 | 9 600 | | 14 000 | 9 900 | | 13 400 | | | | | | | | | | | |
| 7 | 11 900 | 9 000 | 7 200 | 13 000 | 9 500 | | 12 800 | | | 11 400 | | | | | | | | |
| 8 | 10 900 | 8 500 | 6 900 | 12 300 | 9 100 | 7 000 | 12 200 | 9 000 | | 11 200 | | | | | | | | |
| 9 | 10 200 | 8 000 | 6 700 | 11 600 | 8 700 | 6 900 | 11 700 | 8 800 | | 10 900 | | | | | | | | |
| 10 | 9 500 | 7 600 | 6 500 | 10 900 | 8 300 | 6 700 | 11 200 | 8 500 | 6 700 | 10 700 | 8 300 | | 9 500 | | | | | |
| 12 | 8 200 | 6 900 | 6 100 | 9 900 | 7 700 | 6 400 | 10 300 | 8 000 | 6 500 | 10 000 | 7 900 | 6 400 | 9 200 | | | 6 500 | | |
| 14 | 7 200 | 6 400 | 5 800 | 9 000 | 7 200 | 6 100 | 9 500 | 7 500 | 6 200 | 9 400 | 7 500 | 6 200 | 8 900 | 7 400 | 6 000 | 6 500 | | |
| 16 | 6 400 | 6 100 | 5 700 | 8 200 | 6 700 | 5 900 | 8 900 | 7 100 | 6 000 | 8 900 | 7 200 | 6 000 | 8 600 | 7 100 | 5 900 | 6 500 | 6 700 | |
| 18 | | 6 200 | | 7 400 | 6 400 | 5 700 | 8 300 | 6 700 | 5 800 | 8 500 | 6 900 | 5 800 | 8 200 | 6 800 | 5 700 | 6 400 | 6 500 | 5 600 |
| 20 | | | | 6 900 | 6 100 | 5 500 | 7 800 | 6 400 | 5 600 | 8 000 | 6 600 | 5 600 | 7 900 | 6 600 | 5 600 | 6 400 | 6 300 | 5 400 |
| 22 | | | | 6 400 | 5 900 | 5 400 | 7 300 | 6 200 | 5 400 | 7 600 | 6 300 | 5 400 | 7 500 | 6 300 | 5 400 | 6 400 | 6 100 | 5 300 |
| 24 | | | | 6 200 | 5 900 | | 6 800 | 6 000 | 5 300 | 7 200 | 6 100 | 5 300 | 7 200 | 6 100 | 5 300 | 6 300 | 6 000 | 5 200 |
| 26 | | | | | | | 6 500 | 5 800 | 5 200 | 6 900 | 5 900 | 5 200 | 6 900 | 5 900 | 5 200 | 6 300 | 5 800 | 5 100 |
| 28 | | | | | | | 6 100 | 5 700 | 5 200 | 6 600 | 5 700 | 5 100 | 6 600 | 5 800 | 5 000 | 6 200 | 5 600 | 5 000 |
| 30 | | | | | | | 5 800 | 5 600 | | 6 300 | 5 600 | 5 000 | 6 400 | 5 600 | 4 900 | 6 100 | 5 500 | 4 900 |
| 32 | | | | | | | 5 700 | 5 400 | | 5 900 | 5 500 | 4 900 | 6 200 | 5 500 | 4 900 | 6 000 | 5 300 | 4 800 |
| 34 | | | | | | | | | | 5 600 | 5 400 | 4 900 | 5 900 | 5 400 | 4 800 | 5 800 | 5 200 | 4 700 |
| 36 | | | | | | | | | | 5 200 | 5 200 | | 5 700 | 5 300 | 4 700 | 5 600 | 5 100 | 4 600 |
| 38 | | | | | | | | | | 4 900 | 4 900 | | 5 400 | 5 200 | 4 700 | 5 400 | 5 000 | 4 600 |
| 40 | | | | | | | | | | 4 800 | 4 700 | | 5 100 | 5 100 | 4 700 | 4 900 | 4 900 | 4 600 |
| 42 | | | | | | | | | | | | | 4 800 | 4 800 | 4 700 | 4 300 | 4 600 | 4 500 |
| 44 | | | | | | | | | | | | | 4 500 | 4 600 | | 3 800 | 4 100 | 4 200 |
| 46 | | | | | | | | | | | | | 4 200 | 4 200 | | 3 400 | 3 600 | 3 600 |
| 48 | | | | | | | | | | | | | 3 800 | 3 800 | | 3 000 | 3 200 | 3 200 |
| 50 | | | | | | | | | | | | | 3 600 | | | 2 600 | 2 800 | 2 800 |
| 52 | | | | | | | | | | | | | | | | 2 200 | 2 400 | |
| 54 | | | | | | | | | | | | | | | | 2 000 | 2 000 | |
| 56 | | | | | | | | | | | | | | | | 1 700 | 1 700 | |
| 58 | | | | | | | | | | | | | | | | 1 600 | | |

THIS CHART IS ONLY A GUIDE AND SHOULD NOT BE USED TO OPERATE THE CRANE.
The individual crane's load chart, operating instructions and other instructional plates must be read and understood prior to operating the crane.

Working range

Extensions - metric 75%

Main boom with extensions



THIS CHART IS ONLY A GUIDE AND SHOULD NOT BE USED TO OPERATE THE CRANE.

The individual crane's load chart, operating instructions and other instructional plates must be read and understood prior to operating the crane.

Load chart

Extensions - metric 75%



52,2 m



15 m



35 t



100%



360°



0.3°



Kilograms

| Radius [m] | Main boom length [m] | | | | | | | | | | | | | | | | | |
|------------|----------------------|------|------|------|------|------|------|------|------|------|------|------|------|------|------|------|------|------|
| | 12,3 | | | 19,9 | | | 27,7 | | | 35,8 | | | 44,0 | | | 52,2 | | |
| | 0° | 20° | 40° | 0° | 20° | 40° | 0° | 20° | 40° | 0° | 20° | 40° | 0° | 20° | 40° | 0° | 20° | 40° |
| 5 | 5800 | | | | | | | | | | | | | | | | | |
| 6 | 5500 | | | 5400 | | | | | | | | | | | | | | |
| 7 | 5200 | | | 5300 | | | 4900 | | | | | | | | | | | |
| 8 | 4900 | 3800 | | 5200 | | | 4800 | | | | | | | | | | | |
| 9 | 4600 | 3700 | | 5000 | | | 4700 | | | 4400 | | | | | | | | |
| 10 | 4300 | 3500 | | 4800 | | | 4600 | | | 4300 | | | 4000 | | | | | |
| 12 | 3800 | 3200 | 2600 | 4400 | 3400 | | 4500 | 3400 | | 4200 | | | 3900 | | | | | |
| 14 | 3400 | 3000 | 2500 | 4000 | 3200 | | 4200 | 3200 | | 4100 | 3200 | | 3800 | | | 3000 | | |
| 16 | 3100 | 2800 | 2400 | 3700 | 3000 | 2500 | 3900 | 3000 | 2500 | 3900 | 3100 | | 3700 | 3100 | | 3000 | | |
| 18 | 2900 | 2600 | 2300 | 3400 | 2800 | 2400 | 3600 | 2900 | 2400 | 3800 | 2900 | 2400 | 3600 | 2900 | | 3000 | 2900 | |
| 20 | 2700 | 2500 | 2200 | 3100 | 2700 | 2400 | 3400 | 2700 | 2400 | 3600 | 2800 | 2400 | 3500 | 2800 | 2400 | 3000 | 2800 | |
| 22 | 2500 | 2400 | 2200 | 2900 | 2600 | 2300 | 3200 | 2600 | 2300 | 3400 | 2700 | 2300 | 3400 | 2700 | 2300 | 3000 | 2700 | 2300 |
| 24 | 2400 | 2300 | | 2700 | 2400 | 2200 | 3000 | 2500 | 2200 | 3200 | 2600 | 2300 | 3300 | 2600 | 2300 | 3000 | 2600 | 2200 |
| 26 | | | | 2500 | 2300 | 2200 | 2800 | 2400 | 2200 | 3000 | 2500 | 2200 | 3100 | 2500 | 2200 | 3000 | 2500 | 2200 |
| 28 | | | | 2400 | 2300 | 2200 | 2700 | 2300 | 2200 | 2900 | 2400 | 2200 | 3000 | 2500 | 2200 | 2900 | 2500 | 2200 |
| 30 | | | | 2300 | 2200 | 2200 | 2500 | 2300 | 2100 | 2700 | 2300 | 2100 | 2900 | 2400 | 2100 | 2800 | 2400 | 2100 |
| 32 | | | | 2200 | 2200 | | 2400 | 2200 | 2100 | 2600 | 2300 | 2100 | 2700 | 2300 | 2100 | 2800 | 2300 | 2100 |
| 34 | | | | | | | 2300 | 2200 | 2100 | 2500 | 2200 | 2100 | 2600 | 2300 | 2100 | 2700 | 2300 | 2000 |
| 36 | | | | | | | 2200 | 2100 | | 2400 | 2200 | 2100 | 2500 | 2200 | 2100 | 2600 | 2200 | 2000 |
| 38 | | | | | | | 2200 | 2100 | | 2300 | 2100 | 2100 | 2500 | 2200 | 2000 | 2500 | 2200 | 2000 |
| 40 | | | | | | | | | | 2200 | 2100 | 2100 | 2400 | 2100 | 2000 | 2400 | 2100 | 2000 |
| 42 | | | | | | | | | | 2200 | 2100 | | 2300 | 2100 | 2000 | 2300 | 2100 | 2000 |
| 44 | | | | | | | | | | 2100 | 2100 | | 2200 | 2000 | 2000 | 2300 | 2000 | 1900 |
| 46 | | | | | | | | | | 2100 | 2100 | | 2200 | 2000 | 2000 | 2200 | 2000 | 1900 |
| 48 | | | | | | | | | | | | | 2100 | 2000 | 2000 | 2100 | 2000 | 1900 |
| 50 | | | | | | | | | | | | | 2000 | 2000 | | 2100 | 1900 | 1900 |
| 52 | | | | | | | | | | | | | 2000 | 2000 | | 2000 | 1900 | 1900 |
| 54 | | | | | | | | | | | | | 2000 | 2000 | | 2000 | 1900 | 1900 |
| 56 | | | | | | | | | | | | | | | | 1900 | 1900 | 1900 |
| 58 | | | | | | | | | | | | | | | | 1800 | 1900 | |
| 60 | | | | | | | | | | | | | | | | 1600 | 1600 | |
| 62 | | | | | | | | | | | | | | | | 1300 | 1400 | |
| 64 | | | | | | | | | | | | | | | | 1100 | 1300 | |

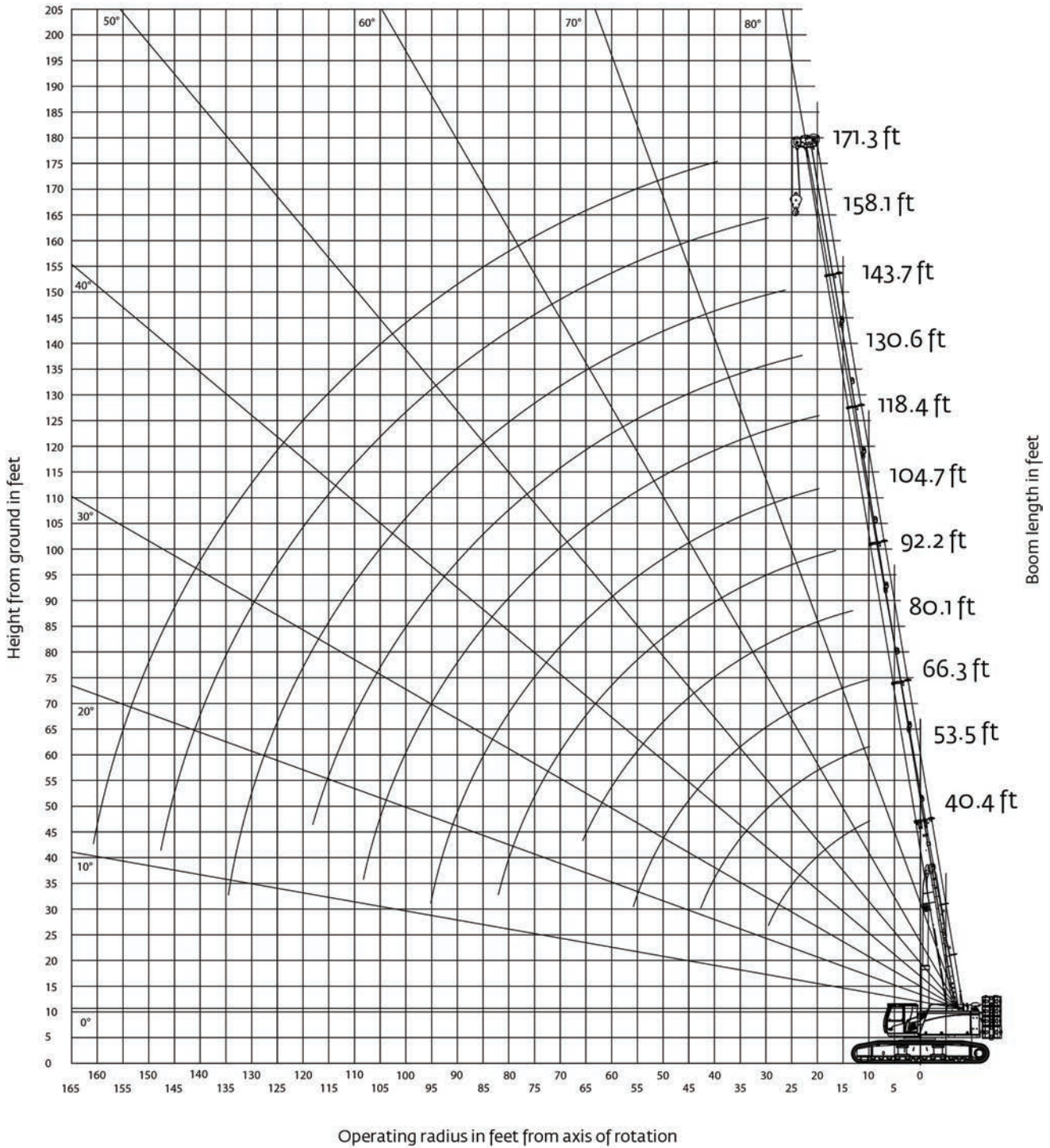
THIS CHART IS ONLY A GUIDE AND SHOULD NOT BE USED TO OPERATE THE CRANE.
The individual crane's load chart, operating instructions and other instructional plates must be read and understood prior to operating the crane.

Working range

Main boom - imperial 75%

Main boom

(BOOM DEFLECTION NOT SHOWN)



*THIS CHART IS ONLY A GUIDE AND SHOULD NOT BE USED TO OPERATE THE CRANE.
The individual crane's load chart, operating instructions and other instructional plates must be read and understood prior to operating the crane.*

Load chart

Main boom - imperial 75%



171.3 ft



77,836 lb



100%



360°



0.3°



Pounds

| Radius [ft] | Main boom length [ft] | | | | | | | | | | | |
|-------------|-----------------------|---------|---------|---------|---------|---------|--------|--------|--------|--------|--------|--------|
| | 40.4 | 52.5 | 65.6 | 78.7 | 91.9 | 105.0 | 118.1 | 131.2 | 144.4 | 157.5 | 171.3 | |
| 10 | 278,300* | 175,900 | 164,600 | | | | | | | | | |
| 15 | 218,200* | 162,500 | 146,100 | 135,400 | 109,000 | | | | | | | |
| 20 | 160,600 | 148,600 | 131,600 | 122,800 | 107,600 | 100,600 | 76,700 | | | | | |
| 25 | 124,400 | 125,800 | 119,300 | 110,000 | 102,300 | 89,900 | 70,000 | 53,700 | | | | |
| 30 | | 102,500 | 104,100 | 100,100 | 93,800 | 85,300 | 64,600 | 50,100 | 40,900 | 31,900 | | |
| 35 | | 85,100 | 87,600 | 87,500 | 83,700 | 78,600 | 59,800 | 44,800 | 39,200 | 31,600 | | |
| 40 | | 68,700 | 73,500 | 74,000 | 73,300 | 71,200 | 55,500 | 41,600 | 36,300 | 31,300 | 26,000 | |
| 45 | | 53,500 | 62,300 | 62,500 | 61,900 | 58,600 | 51,500 | 39,100 | 33,900 | 30,900 | 25,400 | |
| 50 | | | 53,500 | 53,700 | 53,200 | 50,100 | 48,200 | 36,500 | 32,000 | 29,900 | 25,100 | |
| 55 | | | | 46,600 | 46,100 | 42,900 | 43,900 | 34,400 | 29,900 | 28,600 | 24,700 | |
| 60 | | | | 40,800 | 40,300 | 36,800 | 38,400 | 32,800 | 27,800 | 27,300 | 24,400 | |
| 65 | | | | 36,300 | 35,600 | 33,500 | 33,800 | 31,100 | 26,200 | 26,000 | 24,100 | |
| 70 | | | | | 32,000 | 30,100 | 30,000 | 29,400 | 25,000 | 24,500 | 23,400 | |
| 75 | | | | | 28,700 | 26,800 | 26,700 | 27,700 | 23,800 | 23,100 | 22,600 | |
| 80 | | | | | | 23,600 | 24,000 | 26,000 | 22,700 | 21,800 | 21,600 | |
| 85 | | | | | | | 21,100 | 22,100 | 24,400 | 21,600 | 21,000 | 20,600 |
| 90 | | | | | | | 19,400 | 21,100 | 21,900 | 20,700 | 20,100 | 19,600 |
| 95 | | | | | | | | 20,300 | 19,900 | 19,800 | 19,100 | 18,400 |
| 100 | | | | | | | | 19,100 | 18,300 | 18,600 | 18,100 | 17,200 |
| 105 | | | | | | | | | 17,000 | 16,500 | 16,800 | 15,600 |
| 110 | | | | | | | | | 15,600 | 15,700 | 15,400 | 14,300 |
| 115 | | | | | | | | | 14,500 | 14,900 | 14,200 | 13,100 |
| 120 | | | | | | | | | | 13,900 | 13,100 | 11,900 |
| 125 | | | | | | | | | | 12,700 | 12,100 | 10,700 |
| 130 | | | | | | | | | | 11,900 | 11,100 | 9,700 |
| 135 | | | | | | | | | | | 9,900 | 8,800 |
| 140 | | | | | | | | | | | 9,000 | 8,000 |
| 145 | | | | | | | | | | | | 7,200 |
| 150 | | | | | | | | | | | | 6,500 |
| 155 | | | | | | | | | | | | 5,700 |

* Valid with special equipment

THIS CHART IS ONLY A GUIDE AND SHOULD NOT BE USED TO OPERATE THE CRANE.
The individual crane's load chart, operating instructions and other instructional plates must be read and understood prior to operating the crane.

Load chart

Main boom - imperial 75%



171.3 ft



77,836 lb



100%



360°



1.5°



Pounds

| Radius [ft] | Main boom length [ft] | | | | | | | | | | |
|-------------|-----------------------|---------|---------|---------|--------|--------|--------|--------|--------|--------|--------|
| | 40.4 | 52.5 | 65.6 | 78.7 | 91.9 | 105.0 | 118.1 | 131.2 | 144.4 | 157.5 | 171.3 |
| 10 | 186,900 | 141,100 | 119,400 | | | | | | | | |
| 15 | 170,100 | 141,100 | 125,700 | 110,200 | 96,400 | | | | | | |
| 20 | 152,600 | 139,800 | 125,700 | 109,800 | 99,000 | 77,200 | 67,100 | | | | |
| 25 | 124,400 | 122,300 | 119,300 | 105,100 | 95,600 | 77,200 | 64,800 | 42,300 | | | |
| 30 | | 102,500 | 104,100 | 100,100 | 89,800 | 76,800 | 61,400 | 40,700 | 33,700 | 24,300 | |
| 35 | | 85,100 | 87,600 | 87,500 | 82,200 | 73,500 | 58,100 | 39,900 | 33,400 | 24,300 | |
| 40 | | 68,700 | 73,500 | 74,000 | 73,300 | 69,200 | 54,900 | 38,800 | 32,600 | 24,300 | 19,800 |
| 45 | | 53,500 | 62,300 | 62,500 | 61,900 | 58,300 | 51,400 | 36,800 | 32,100 | 24,300 | 19,800 |
| 50 | | | 53,500 | 53,700 | 53,200 | 50,100 | 47,300 | 34,700 | 30,900 | 24,300 | 19,800 |
| 55 | | | | 46,600 | 46,100 | 42,900 | 42,900 | 32,800 | 29,400 | 24,300 | 19,800 |
| 60 | | | | 40,800 | 40,300 | 36,800 | 38,400 | 31,000 | 27,800 | 24,300 | 19,800 |
| 65 | | | | 36,300 | 35,600 | 33,500 | 33,800 | 29,300 | 26,200 | 24,300 | 19,600 |
| 70 | | | | | 32,000 | 30,100 | 30,000 | 27,900 | 25,000 | 24,000 | 19,500 |
| 75 | | | | | 28,700 | 26,800 | 26,700 | 26,700 | 23,800 | 23,100 | 19,200 |
| 80 | | | | | | 23,600 | 24,000 | 25,500 | 22,700 | 21,800 | 18,900 |
| 85 | | | | | | | 21,100 | 22,100 | 24,300 | 21,600 | 18,700 |
| 90 | | | | | | | 19,400 | 21,100 | 21,900 | 20,700 | 18,300 |
| 95 | | | | | | | | 20,300 | 19,900 | 19,800 | 17,900 |
| 100 | | | | | | | | 19,100 | 18,300 | 18,600 | 17,200 |
| 105 | | | | | | | | | 17,000 | 16,500 | 15,600 |
| 110 | | | | | | | | | 15,600 | 15,700 | 14,300 |
| 115 | | | | | | | | | 14,500 | 14,900 | 13,100 |
| 120 | | | | | | | | | | 13,900 | 11,900 |
| 125 | | | | | | | | | | 12,700 | 10,700 |
| 130 | | | | | | | | | | 11,900 | 9,700 |
| 135 | | | | | | | | | | | 9,900 |
| 140 | | | | | | | | | | | 9,000 |
| 145 | | | | | | | | | | | 7,200 |
| 150 | | | | | | | | | | | 6,500 |
| 155 | | | | | | | | | | | 5,700 |

* Valid with special equipment

THIS CHART IS ONLY A GUIDE AND SHOULD NOT BE USED TO OPERATE THE CRANE.
The individual crane's load chart, operating instructions and other instructional plates must be read and understood prior to operating the crane.

Load chart

Auxiliary boom nose - imperial 75%



171.3 ft



with auxiliary boom nose



77,836 lb



100%



360°



1.5°



Pounds

| Radius [ft] | Main boom length [m] | | | | | | | | | | |
|-------------|----------------------|--------|--------|--------|--------|--------|--------|--------|--------|--------|--------|
| | 40.4 | 53.1 | 65.3 | 77.4 | 90.9 | 104.3 | 117.5 | 129.9 | 144.4 | 157.8 | 171.3 |
| 10 | 27,600 | 27,600 | 27,600 | | | | | | | | |
| 15 | 27,600 | 27,600 | 27,600 | 27,600 | 27,600 | | | | | | |
| 20 | 27,600 | 27,600 | 27,600 | 27,600 | 27,600 | 27,600 | 27,600 | | | | |
| 25 | 27,600 | 27,600 | 27,600 | 27,600 | 27,600 | 27,600 | 27,600 | 27,600 | | | |
| 30 | | 27,600 | 27,600 | 27,600 | 27,600 | 27,600 | 27,600 | 27,600 | 27,600 | 24,300 | |
| 35 | | 27,600 | 27,600 | 27,600 | 27,600 | 27,600 | 27,600 | 27,600 | 27,600 | 24,300 | |
| 40 | | 27,600 | 27,600 | 27,600 | 27,600 | 27,600 | 27,600 | 27,600 | 27,600 | 24,300 | 19,800 |
| 45 | | 27,600 | 27,600 | 27,600 | 27,600 | 27,600 | 27,600 | 27,600 | 27,600 | 24,300 | 19,800 |
| 50 | | | 27,600 | 27,600 | 27,600 | 27,600 | 27,600 | 27,600 | 27,600 | 24,300 | 19,800 |
| 55 | | | 27,600 | 27,600 | 27,600 | 27,600 | 27,600 | 27,600 | 27,600 | 24,300 | 19,800 |
| 60 | | | | 27,600 | 27,600 | 27,600 | 27,600 | 27,600 | 27,400 | 24,300 | 19,800 |
| 65 | | | | 27,600 | 27,600 | 27,600 | 27,600 | 27,600 | 26,300 | 24,300 | 19,600 |
| 70 | | | | 27,600 | 27,600 | 27,600 | 27,600 | 27,500 | 24,800 | 24,100 | 19,400 |
| 75 | | | | | 28,600 | 26,600 | 26,600 | 26,600 | 23,800 | 22,700 | 19,200 |
| 80 | | | | | 25,800 | 23,400 | 23,900 | 25,500 | 22,700 | 21,900 | 18,900 |
| 85 | | | | | | 21,000 | 22,100 | 24,300 | 21,600 | 21,000 | 18,700 |
| 90 | | | | | | 19,400 | 21,100 | 21,600 | 20,700 | 20,100 | 18,200 |
| 95 | | | | | | 17,700 | 20,300 | 19,900 | 19,800 | 19,200 | 17,900 |
| 100 | | | | | | | 19,000 | 18,200 | 18,900 | 18,300 | 17,200 |
| 105 | | | | | | | 17,200 | 17,000 | 16,500 | 16,800 | 15,600 |
| 110 | | | | | | | 6,600 | 15,500 | 15,500 | 15,400 | 14,300 |
| 115 | | | | | | | | 14,200 | 15,000 | 14,100 | 13,000 |
| 120 | | | | | | | | 13,200 | 13,800 | 13,100 | 11,800 |
| 125 | | | | | | | | | 12,700 | 12,100 | 10,700 |
| 130 | | | | | | | | | 11,900 | 11,100 | 9,700 |
| 135 | | | | | | | | | | 10,000 | 8,600 |
| 140 | | | | | | | | | | 9,100 | 7,900 |
| 145 | | | | | | | | | | 8,500 | 7,200 |
| 150 | | | | | | | | | | | 6,500 |
| 155 | | | | | | | | | | | 5,600 |
| 160 | | | | | | | | | | | 5,100 |

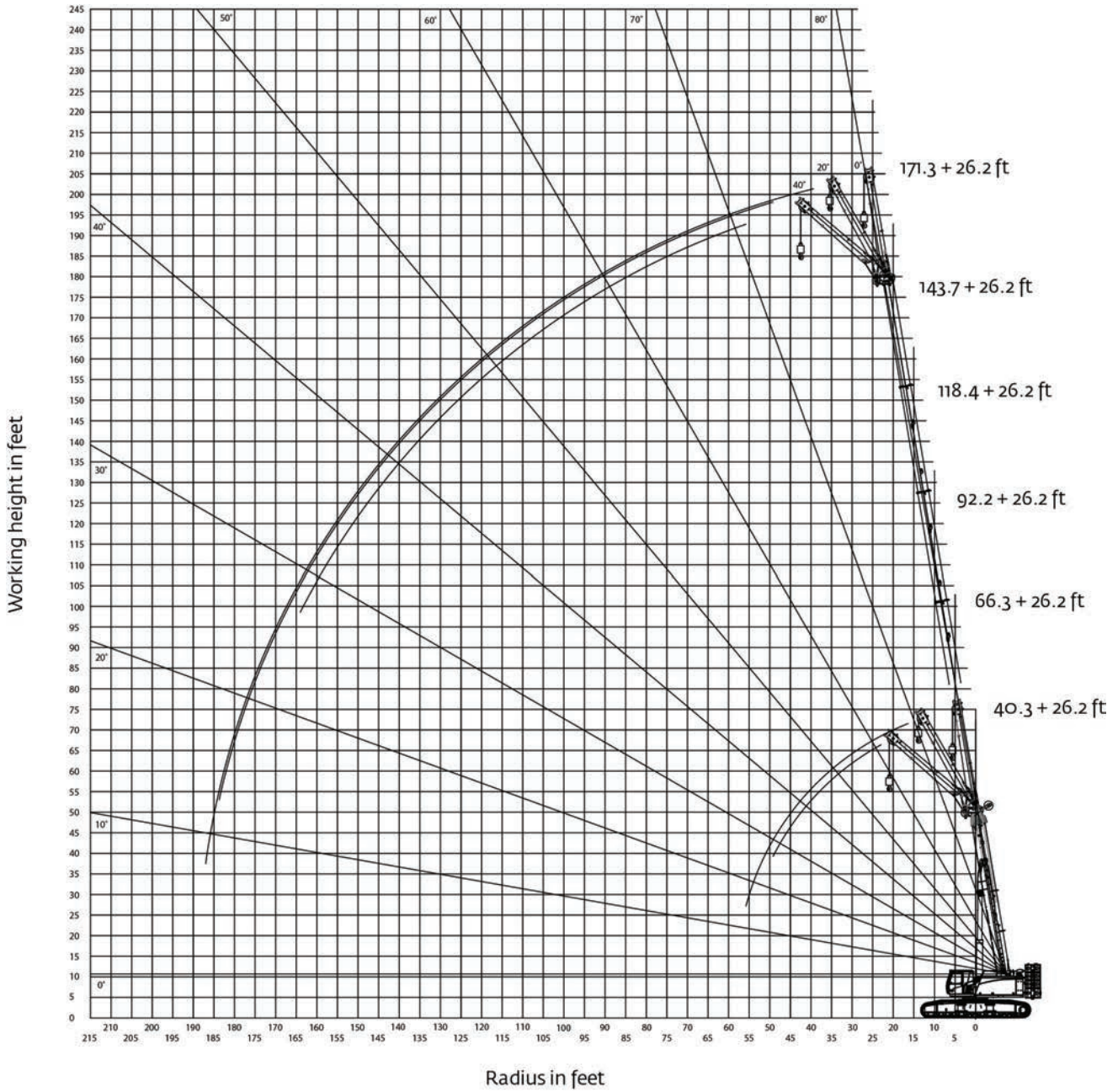
THIS CHART IS ONLY A GUIDE AND SHOULD NOT BE USED TO OPERATE THE CRANE.

The individual crane's load chart, operating instructions and other instructional plates must be read and understood prior to operating the crane.

Working range

Extensions - imperial 75%

Main boom with extensions



*THIS CHART IS ONLY A GUIDE AND SHOULD NOT BE USED TO OPERATE THE CRANE.
The individual crane's load chart, operating instructions and other instructional plates must be read and understood prior to operating the crane.*

Load chart

Extensions - imperial 75%



171.3 ft



26.3 ft



77,836 lb



100%



360°



0.3°



Pounds

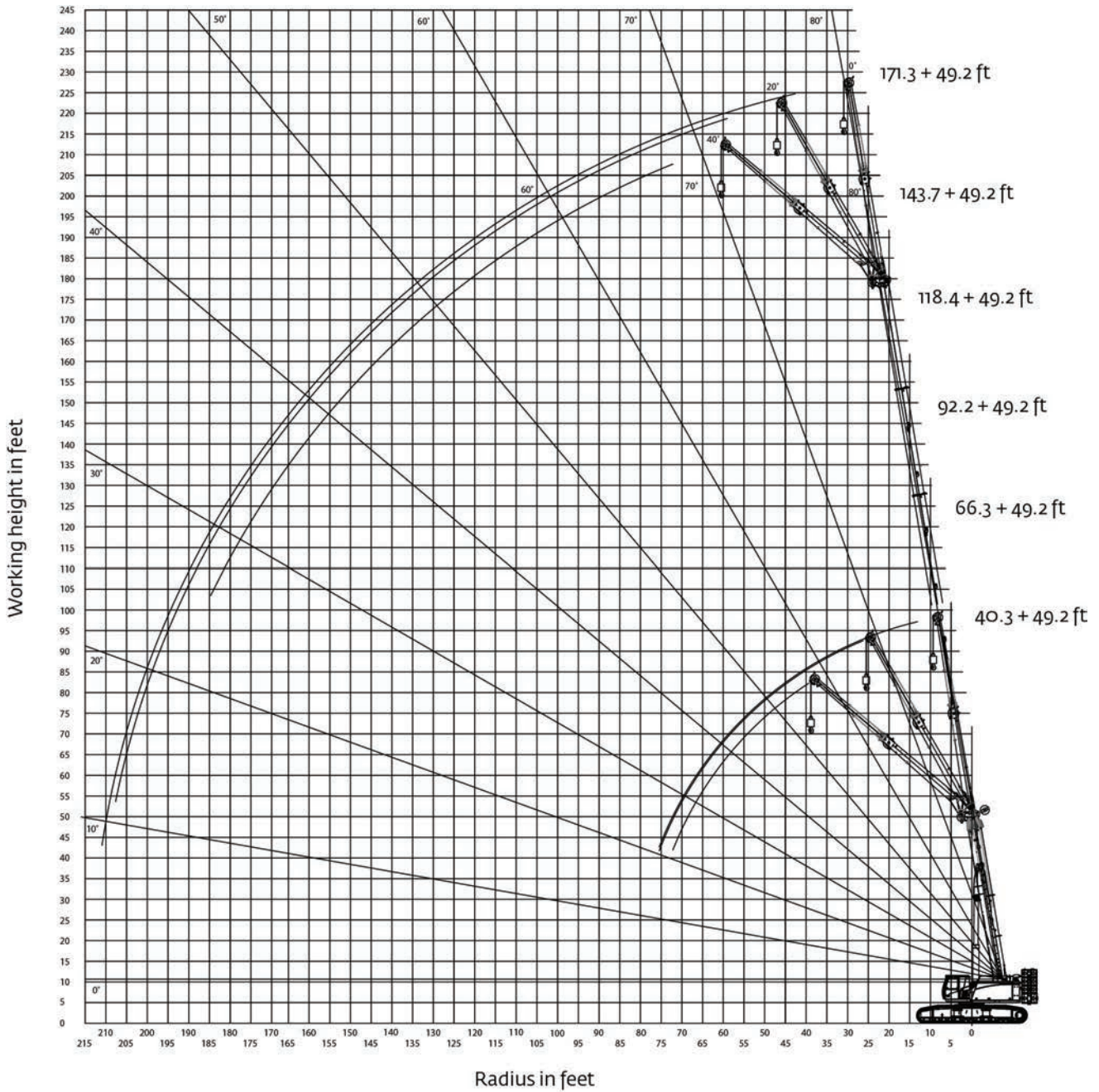
| Radius [ft] | Main boom length [ft] | | | | | | | | | | | | | | | | | |
|-------------|-----------------------|--------|--------|--------|--------|--------|--------|--------|--------|--------|--------|--------|--------|--------|--------|--------|--------|--------|
| | 40.4 | | | 65.3 | | | 90.9 | | | 117.5 | | | 144.4 | | | 171.3 | | |
| | 0° | 20° | 40° | 0° | 20° | 40° | 0° | 20° | 40° | 0° | 20° | 40° | 0° | 20° | 40° | 0° | 20° | 40° |
| 20 | 28,300 | 21,100 | | 30,600 | 21,700 | | 29,400 | | | | | | | | | | | |
| 25 | 24,900 | 19,200 | 15,500 | 27,700 | 20,300 | | 27,400 | | | 24,900 | | | | | | | | |
| 30 | 22,200 | 17,600 | 14,700 | 25,300 | 19,000 | 15,100 | 25,600 | 19,200 | | 24,000 | | | | | | | | |
| 35 | 19,900 | 16,300 | 14,000 | 23,300 | 17,900 | 14,600 | 24,000 | 18,300 | 14,600 | 23,000 | 18,000 | | 20,800 | | | | | |
| 40 | 17,900 | 15,200 | 13,400 | 21,600 | 16,900 | 14,000 | 22,500 | 17,500 | 14,200 | 22,000 | 17,400 | 14,000 | 20,300 | | | 14,300 | | |
| 45 | 16,200 | 14,400 | 12,900 | 20,100 | 16,000 | 13,600 | 21,300 | 16,700 | 13,700 | 21,000 | 16,700 | 13,700 | 19,800 | | | 14,300 | | |
| 50 | 14,800 | 13,700 | | 18,700 | 15,200 | 13,100 | 20,200 | 16,000 | 13,300 | 20,100 | 16,100 | 13,300 | 19,200 | 15,900 | 13,100 | 14,300 | | |
| 55 | | | | 17,400 | 14,600 | 12,800 | 19,100 | 15,300 | 13,000 | 19,300 | 15,600 | 13,000 | 18,600 | 15,400 | 12,800 | 14,200 | 14,700 | |
| 60 | | | | 16,200 | 14,000 | 12,400 | 18,200 | 14,800 | 12,700 | 18,500 | 15,100 | 12,700 | 18,000 | 15,000 | 12,600 | 14,200 | 14,300 | 12,200 |
| 65 | | | | 15,300 | 13,500 | 12,200 | 17,300 | 14,300 | 12,400 | 17,800 | 14,600 | 12,400 | 17,500 | 14,600 | 12,300 | 14,100 | 14,000 | 12,000 |
| 70 | | | | 14,400 | 13,200 | | 16,400 | 13,800 | 12,100 | 17,000 | 14,100 | 12,100 | 16,900 | 14,200 | 12,100 | 14,100 | 13,700 | 11,800 |
| 75 | | | | | 13,000 | | 15,600 | 13,400 | 11,800 | 16,400 | 13,700 | 11,900 | 16,300 | 13,800 | 11,800 | 14,000 | 13,400 | 11,600 |
| 80 | | | | | | | 14,900 | 13,100 | 11,600 | 15,800 | 13,400 | 11,600 | 15,800 | 13,400 | 11,600 | 13,900 | 13,100 | 11,400 |
| 85 | | | | | | | 14,300 | 12,800 | 11,500 | 15,200 | 13,100 | 11,400 | 15,300 | 13,100 | 11,400 | 13,800 | 12,800 | 11,200 |
| 90 | | | | | | | 13,700 | 12,600 | | 14,700 | 12,800 | 11,300 | 14,800 | 12,800 | 11,200 | 13,700 | 12,500 | 11,000 |
| 95 | | | | | | | 13,200 | 12,400 | | 14,200 | 12,500 | 11,100 | 14,400 | 12,600 | 11,000 | 13,600 | 12,300 | 10,800 |
| 100 | | | | | | | | 12,200 | | 13,600 | 12,300 | 11,000 | 13,900 | 12,300 | 10,900 | 13,400 | 12,000 | 10,700 |
| 105 | | | | | | | | | | 13,100 | 12,100 | 10,900 | 13,600 | 12,100 | 10,700 | 13,100 | 11,800 | 10,500 |
| 110 | | | | | | | | | | 12,400 | 11,900 | 10,900 | 13,200 | 11,900 | 10,600 | 12,800 | 11,600 | 10,400 |
| 115 | | | | | | | | | | 11,900 | 11,700 | | 12,800 | 11,700 | 10,500 | 12,500 | 11,400 | 10,300 |
| 120 | | | | | | | | | | 11,300 | 11,300 | | 12,400 | 11,500 | 10,400 | 12,200 | 11,200 | 10,200 |
| 125 | | | | | | | | | | | 10,800 | | 11,900 | 11,400 | 10,400 | 11,800 | 11,100 | 10,100 |
| 130 | | | | | | | | | | | 10,400 | | 11,400 | 11,300 | 10,400 | 11,000 | 10,900 | 10,000 |
| 135 | | | | | | | | | | | | | 10,900 | 10,900 | 10,400 | 10,000 | 10,500 | 10,000 |
| 140 | | | | | | | | | | | | | 10,400 | 10,400 | | 9,100 | 9,800 | 9,700 |
| 145 | | | | | | | | | | | | | 9,900 | 10,000 | | 8,300 | 8,900 | 9,100 |
| 150 | | | | | | | | | | | | | 9,400 | 9,400 | | 7,600 | 8,200 | 8,100 |
| 155 | | | | | | | | | | | | | 8,800 | 8,700 | | 6,900 | 7,400 | 7,400 |
| 160 | | | | | | | | | | | | | | | | 6,300 | 6,700 | 6,700 |
| 165 | | | | | | | | | | | | | | | | 5,600 | 6,100 | |
| 170 | | | | | | | | | | | | | | | | 4,900 | 5,500 | |
| 175 | | | | | | | | | | | | | | | | 4,600 | 4,700 | |
| 180 | | | | | | | | | | | | | | | | 4,100 | 4,100 | |

THIS CHART IS ONLY A GUIDE AND SHOULD NOT BE USED TO OPERATE THE CRANE.
The individual crane's load chart, operating instructions and other instructional plates must be read and understood prior to operating the crane.

Working range

Extensions - imperial 75%

Main boom with extensions



*THIS CHART IS ONLY A GUIDE AND SHOULD NOT BE USED TO OPERATE THE CRANE.
The individual crane's load chart, operating instructions and other instructional plates must be read and understood prior to operating the crane.*

Load chart

Extensions - imperial 75%



171.3 ft



49.3 ft



77,836 lb



100%



360°



0.3°



Pounds

| Radius [ft] | Main boom length [ft] | | | | | | | | | | | | | | | | | | |
|-------------|-----------------------|-------|-------|--------|-------|-------|--------|-------|-------|-------|-------|-------|-------|-------|-------|-------|-------|-------|--|
| | 40.4 | | | 65.3 | | | 90.9 | | | 117.5 | | | 144.4 | | | 171.3 | | | |
| | 0° | 20° | 40° | 0° | 20° | 40° | 0° | 20° | 40° | 0° | 20° | 40° | 0° | 20° | 40° | 0° | 20° | 40° | |
| 20 | 12,100 | | | 11,900 | | | | | | | | | | | | | | | |
| 25 | 11,000 | | | 11,500 | | | 10,700 | | | | | | | | | | | | |
| 30 | 10,000 | 8,000 | | 11,000 | | | 10,400 | | | 9,700 | | | | | | | | | |
| 35 | 9,100 | 7,500 | | 10,400 | | | 10,100 | | | 9,500 | | | 8,700 | | | | | | |
| 40 | 8,300 | 7,000 | 5,700 | 9,700 | 7,500 | | 9,800 | 7,400 | | 9,300 | | | 8,700 | | | | | | |
| 45 | 7,700 | 6,600 | 5,500 | 9,000 | 7,100 | | 9,300 | 7,100 | | 9,000 | | | 8,500 | | | | | | |
| 50 | 7,200 | 6,300 | 5,300 | 8,400 | 6,800 | | 8,800 | 6,800 | | 8,800 | 6,900 | | 8,300 | | | 6,600 | | | |
| 55 | 6,700 | 5,900 | 5,200 | 7,800 | 6,500 | 5,500 | 8,300 | 6,500 | 5,500 | 8,500 | 6,600 | | 8,200 | 6,600 | | 6,600 | | | |
| 60 | 6,300 | 5,700 | 5,000 | 7,400 | 6,200 | 5,400 | 7,900 | 6,300 | 5,300 | 8,200 | 6,400 | 5,400 | 8,000 | 6,400 | | 6,600 | 6,300 | | |
| 65 | 5,900 | 5,500 | 4,900 | 6,900 | 5,900 | 5,200 | 7,500 | 6,100 | 5,200 | 7,900 | 6,200 | 5,200 | 7,800 | 6,200 | | 6,600 | 6,200 | | |
| 70 | 5,600 | 5,300 | 4,900 | 6,600 | 5,700 | 5,100 | 7,100 | 5,900 | 5,100 | 7,500 | 6,000 | 5,100 | 7,600 | 6,100 | 5,100 | 6,600 | 6,000 | | |
| 75 | | | | 6,200 | 5,500 | 5,000 | 6,800 | 5,700 | 5,000 | 7,200 | 5,800 | 5,000 | 7,400 | 5,900 | 5,000 | 6,600 | 5,900 | 5,000 | |
| 80 | | | | 5,900 | 5,300 | 4,900 | 6,500 | 5,500 | 4,900 | 6,900 | 5,700 | 5,000 | 7,200 | 5,800 | 5,000 | 6,600 | 5,700 | 4,900 | |
| 85 | | | | 5,600 | 5,200 | 4,900 | 6,200 | 5,400 | 4,900 | 6,700 | 5,500 | 4,900 | 6,900 | 5,600 | 4,900 | 6,600 | 5,600 | 4,800 | |
| 90 | | | | 5,400 | 5,100 | 4,900 | 6,000 | 5,200 | 4,800 | 6,400 | 5,400 | 4,800 | 6,700 | 5,500 | 4,800 | 6,500 | 5,500 | 4,800 | |
| 95 | | | | 5,200 | 5,000 | | 5,700 | 5,100 | 4,800 | 6,200 | 5,300 | 4,800 | 6,500 | 5,400 | 4,800 | 6,300 | 5,300 | 4,700 | |
| 100 | | | | | 4,900 | | 5,500 | 5,000 | 4,700 | 6,000 | 5,100 | 4,700 | 6,300 | 5,200 | 4,700 | 6,200 | 5,200 | 4,600 | |
| 105 | | | | | | | 5,400 | 4,900 | 4,600 | 5,800 | 5,000 | 4,700 | 6,100 | 5,100 | 4,600 | 6,100 | 5,100 | 4,600 | |
| 110 | | | | | | | 5,200 | 4,800 | 4,600 | 5,600 | 4,900 | 4,600 | 5,900 | 5,000 | 4,600 | 5,900 | 5,000 | 4,500 | |
| 115 | | | | | | | 5,000 | 4,700 | | 5,400 | 4,800 | 4,600 | 5,700 | 4,900 | 4,500 | 5,800 | 4,900 | 4,500 | |
| 120 | | | | | | | | 4,700 | | 5,300 | 4,800 | 4,600 | 5,500 | 4,800 | 4,500 | 5,600 | 4,800 | 4,400 | |
| 125 | | | | | | | | | | 5,100 | 4,700 | 4,600 | 5,400 | 4,800 | 4,500 | 5,500 | 4,800 | 4,400 | |
| 130 | | | | | | | | | | 5,000 | 4,600 | 4,600 | 5,300 | 4,700 | 4,500 | 5,400 | 4,700 | 4,400 | |
| 135 | | | | | | | | | | 4,900 | 4,600 | | 5,100 | 4,600 | 4,400 | 5,200 | 4,600 | 4,300 | |
| 140 | | | | | | | | | | 4,800 | 4,600 | | 5,000 | 4,600 | 4,400 | 5,100 | 4,500 | 4,300 | |
| 145 | | | | | | | | | | 4,700 | 4,500 | | 4,900 | 4,500 | 4,400 | 5,000 | 4,500 | 4,200 | |
| 150 | | | | | | | | | | 4,600 | 4,600 | | 4,800 | 4,400 | 4,500 | 4,900 | 4,400 | 4,200 | |
| 155 | | | | | | | | | | | | | 4,700 | 4,400 | 4,500 | 4,800 | 4,400 | 4,200 | |
| 160 | | | | | | | | | | | | | 4,600 | 4,400 | | 4,700 | 4,300 | 4,200 | |
| 165 | | | | | | | | | | | | | 4,500 | 4,400 | | 4,600 | 4,200 | 4,200 | |
| 170 | | | | | | | | | | | | | 4,400 | 4,400 | | 4,500 | 4,200 | 4,200 | |
| 175 | | | | | | | | | | | | | 4,400 | 4,400 | | 4,400 | 4,200 | 4,200 | |
| 180 | | | | | | | | | | | | | | | | 4,300 | 4,200 | 4,200 | |
| 185 | | | | | | | | | | | | | | | | 4,200 | 4,200 | | |
| 190 | | | | | | | | | | | | | | | | 4,000 | 4,200 | | |
| 195 | | | | | | | | | | | | | | | | 3,700 | 3,700 | | |
| 200 | | | | | | | | | | | | | | | | 3,200 | 3,300 | | |
| 205 | 15365x / (+) / EM3 | | | | | | | | | | | | | | | 2,800 | | | |

THIS CHART IS ONLY A GUIDE AND SHOULD NOT BE USED TO OPERATE THE CRANE.
The individual crane's load chart, operating instructions and other instructional plates must be read and understood prior to operating the crane.

Load handling

| Weight reductions for load handling devices | | |
|--|-----------------------|------------------------------------|
| 8 m - 15 m (26.2 ft - 49.2 ft) : Boom extension: | | |
| | Without block or ball | With 350 kg (770 lb) headache ball |
| *8 m (26.2 ft) extension (erected) | 1063 kg (2344 lb) | 1879 kg (4143 lb) |
| *15 m (49.2 ft) extension (erected) | 1688 kg (3721 lb) | 2504 kg (5520 lb) |
| Hook blocks and Headache ball: | | |
| 120 t (132 USt), 5-sheave | | 1100 kg+ (2425 lb+) |
| 80 t (88 USt), 3-sheave | | 1000 kg+ (2205 lb+) |
| 60 t (66 USt), 2-sheave | | 950 kg+ (2095 lb+) |
| 15 t (16.5 USt) headache ball | | 350 kg+ (770 lb+) |

*Reduction of main boom capacities
+Refer to rating plate for actual weight

When lifting over boom extension, deduct total weight of all load handling devices reeved over main boom nose from boom extension capacity.

NOTE: All load handling devices and boom attachments are considered part of the load and suitable allowances **MUST BE MADE** for their combined weights. Weights are for Grove furnished equipment.

| Line pulls and reeving information | | | |
|------------------------------------|--|-------------------------|----------------------|
| Hoists | Cable specs | Permissible line pulls | Nominal cable length |
| Main and auxiliary | 26 mm Verotop Rotation Resistant (non-rotating) Min. breaking strength 65 800 kg (145,000 lb) | 12 500 kg* (27,600 lb*) | 210 m (689 ft) |
| Main and auxiliary | 26 mm Casar Starlift (35x7 class) Rotation Resistant Min. breaking strength 62 685 kg (138,200 lb) | 12 500 kg* (27,600 lb*) | 210 m (689 ft) |

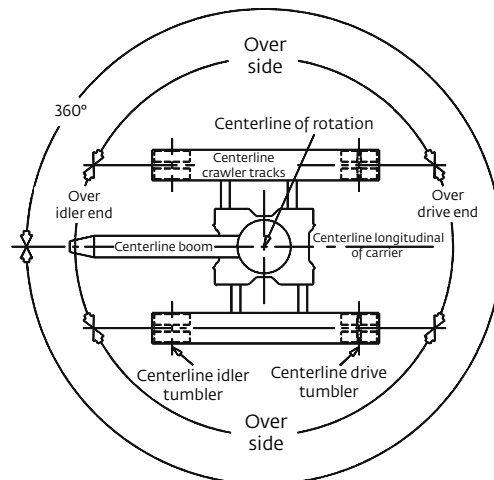
The approximate weight of Verotop and Casar 26 mm wire rope is 3,3 kg/m (2.2 lb/ft).

*With certain boom and hoist tackle combinations, the allowable line pull may be limited by hoist performance. Refer to Hoist Performance table for lift planning to ensure adequate hoist performance on drum rope layer required.

| Hoist performance | | | | |
|-------------------|----------------------------------|---------------------|--------------------|--------------------|
| Wire rope layer | Hoist line pulls two-speed hoist | | Drum rope capacity | |
| | Low available* | High available* | Layer | Total |
| 1 | 18 365 kg (40,488 lb) | 5874 kg (12,949 lb) | 21,9 m (71.8 ft) | 21,9 m (71.8 ft) |
| 2 | 16 891 kg (37,238 lb) | 5402 kg (11,910 lb) | 23,9 m (78.1 ft) | 45,7 m (149.9 ft) |
| 3 | 15 636 kg (34,471 lb) | 5001 kg (11,025 lb) | 25,7 m (84.3 ft) | 71,4 m (234.2 ft) |
| 4 | 14 554 kg (32,087 lb) | 4655 kg (10,262 lb) | 27,6 m (90.6 ft) | 99,0 m (324.8 ft) |
| 5 | 13 613 kg (30,012 lb) | 4354 kg (9598 lb) | 29,5 m (96.9 ft) | 128,5 m (421.7 ft) |
| 6 | 12 786 kg (28,188 lb) | 4089 kg (9015 lb) | 31,4 m (103.1 ft) | 160,0 m (524.8 ft) |
| 7 | 12 053 kg (26,573 lb) | 3855 kg (8499 lb) | 33,3 m (109.4 ft) | 193,3 m (634.2 ft) |

*Max lifting capacity: Verotop & 35x7 class rope = 12 500 kg (27,600 lb)

Working area diagram



*THIS CHART IS ONLY A GUIDE AND SHOULD NOT BE USED TO OPERATE THE CRANE.
The individual crane's load chart, operating instructions and other instructional plates must be read and understood prior to operating the crane.*

Specifications

Upper carriage



Standard Boom

12,3 m - 52,2 m (40.4 ft - 171.3 ft) six-section telescopic pin boom.

Maximum tip height: 55 m (181 ft)



Boom extension

15 m (49.3 ft) offsettable bi-fold swingaway extension. Extension can be offset at 0°, 20° and 40°.

Maximum tip height: 70 m (229.7 ft)



Heavy duty jib extension

3 m (10 ft) heavy duty jib extension that is offset at 10°. Stowable on left side of boom.



Boom nose

Five nylatron sheaves on heavy-duty roller bearings with removable rope guards. Quick reeve type boom nose.

Equipped with removable auxiliary boom nose.



Boom elevation

One double-acting hydraulic cylinder with integral holding valves. Elevation: -4.9° to 80.0°.



Counterweight

35 300 kg (77,836 lbs.) total (7 pieces). Hydraulically installed and removed.



Rated Capacity Limiter and anti-two block system

Graphical display of load moment and anti-two block system with audio-visual warning and control lever lockout. These systems provide electronic display of crane configuration, boom angle, length, radius, tip height, maximum permissible load, momentary load and warning of impending two-block condition. Includes advanced diagnostics system that increases the performance of the machine, simplifies and accelerates troubleshooting, and lowers operating costs. Equipped with event recorder.



Cab

Large-capacity operator's compartment that includes an air suspended operator's seat with lumbar support, heated seat, headrest, 3" safety belt, ergonomic control panels, load sensing electric dual axis joystick controls, travel pedals and levers, exceptional sound insulation, sliding door (includes sliding window), excellent all around visibility, tinted safety glass, front tiltable window, large skylight w/ sun protection, windshield and roof wiper/washer system, Bluetooth/AM/FM/USB/MP3 radio, climate control (A/C, heat, and defrost), fire extinguisher, and 20° tilt capability for improved overhead vision and ergonomic posture. Also equipped with a 7" monitor in cab for rear view, right side and hoist cameras.



Swing

Two-speed, compact planetary gear with axial piston hydraulic motor and integrated brake valves. Sealed, externally geared slewing ring that allows for 360° of continuous rotation. Electronically applied service brake operated via foot pedal. Spring applied, hydraulically released parking brake. Two position, hydraulically pinned house lock.

Swing speed: 0-2 rpm, variable



Hydraulic system

Load sensing / LUDV hydraulic system with hydraulic and pilot-controlled work functions, and load limit sensing control. Single variable-displacement piston pump with a three-section gear pump.

Maximum output: 500 lpm (132 gpm)

Maximum operating pressure: 330 bar (4786 psi)

900 L (238 gal) steel hydraulic reservoir with sight level gauge.

High performance, 3-micron filtration system with water absorption contamination indicator for higher oil purity and extended oil service life.



Hoist

Two-speed hoists driven via an axial piston hydraulic motor with compact planetary gear. Spring-loaded disc brake. Grooved drum with drum rotation indicator for both hoists that is located in the joystick controls.

Maximum hoist pull (first layer): 18 365 kg (40,488 lb)

Maximum permissible single line pull: 12 500 kg (27,558 lb)

Maximum single line speed: 115 m/min (377 ft/min)

Rope construction: 35 X 7 Rotation Resistant

Rope diameter: 26 mm

Rope length: 210 m (688 ft)



Engine (Tier 4)

Cummins QSB 6.7 L diesel, six cylinders, turbocharged with Cummins Diesel Oxidation (DOC) Catalyst and Selective Catalytic Reduction (SCR).

Meets USEPA Tier 4 final requirements.

186kW (249 bhp) at 2000 rpm.

Fuel requirements: Maximum of 15 ppm sulphur content (ultra-low diesel fuel). DEF (diesel exhaust fluid) required for SCR (selective catalytic reduction).

Specifications



Engine (Tier 3)

Cummins QSB 6,7 L diesel, six cylinders, turbocharged rated at 164 kW (220 bhp) at 2000 rpm.



Fuel tank capacity

Diesel Fuel: 450 L (119 gal)
DEF (Diesel Exhaust Fluid): 45 L (12 gal)



Electrical system

24 volt with two 12-volt, maintenance-free batteries. Includes battery disconnect switch.



Lights

Lighting package includes two halogen lights integrated into the front side of the cab roof and one LED headlight on the upper carriage, right side.



Cameras

Back-up, right-side and hoist cameras.

Lower carriage



Frame

Durable all steel welded construction with extendable side frame beams and hydraulic jacks for side frame installation and removal. Frame mounted hydraulic jacks also used for track extension and retraction.



Side frames

Four steel side frame beams that can be hydraulically extended or retracted via controls in the cab. 900 mm (36 in) triple bar maintenance-free track shoes.

Retracted gauge: 3,1 m (10.0 ft)

Intermediate gauge: 4,2 m (13.8 ft)

Extended gauge: 5,4 m (17.7 ft)

*NOTE: These widths are from centerline to centerline of crawlers.



Travel

Two-speed hydrostatic drive operated via lever/pedal controls in cab. Allows for excellent maneuverability with skid steering and counter-rotation. Both side frames are hydraulically driven through a two-stage hydraulic traction motor. Spring-loaded, hydraulically release multi-disk brake.

Travel Speed: Max Low Range – 0,80 kmh (0.50 mph)

Max High Range – 2,49 kmh (1.55 mph)

Gradeability (theoretical): 57%

Operating weight

119 295 kg (263,000 lb) base machine configuration that includes 52,1 m (171 ft) boom, 15 m (49.3 ft) extension, 80 t (88 USt) hook block, 900 mm (36 in) triple bar crawlers, main and auxiliary hoist, and 35 300 kg (77,836 lb) counterweight. Ground bearing pressure (no load): 0,96 kg/cm² (13.9 psi)


























Miscellaneous standard equipment

- Central, easily accessible lubricating strip.
- Grated platform in front of cab, and foldable grated platforms on side of cab and both sides of the upper carriage. Foldable handrails included for upper carriage.
- Service friendly engine and hydraulic compartment with decoupled engine suspension, sound proofing and lighting.
- 80 t (88 USt) 3-sheave quick reeve hook block.
- External RCL light bar.
- Storage box attached to crawler side frame.

*Optional equipment

- Basket: Yoke style, 72 in x 36 in (1829 mm x 914 mm) steel basket, gravity hung with cylinder brake lock (does not side stow). Includes quick-attach boom attachment. Basket capacities: 544,3 kg (1200 lb) main boom and 226,7 kg (500 lb) on boom extension.
- Radio remote control package.
- Cold weather packages up to -40° C / 40° F.
- Maintenance-free flat track shoes.
- Polyurethane clamp-on track pads.
- Two additional LED lights mounted on base boom
- Wind speed indicator (hardwired) displayed thru RCL.
- Work area definition system.
- Swing barrier protection. Provides a swing perimeter when used with caution tape.
- Pinion lubrication for slewing gear with lubrication pump, operated from cab, with special lubricant.
- CraneStar asset management system.

Symbols glossary

| | | | |
|--|--|--|---|
|  Boom |  Counterweight |  Hydraulic system |  Side frames |
|  Boom elevation |  Electrical system |  Incline |  Swing |
|  Boom extension |  Engine |  Jib extension |  Track span |
|  Boom length |  Frame |  Lights |  Travel |
|  Boom nose |  Fuel tank capacity |  Radius | |
|  Cab |  Heavy duty jib |  Rated capacity limiter / anti-two block system | |
|  Camera |  Hoist |  Rotation | |

Notes

Notes

Manitowoc Cranes

Regional headquarters

Americas

Milwaukee, Wisconsin, USA
Tel: +1 414 760 4600

Shady Grove, Pennsylvania, USA
Tel: +1 717 597 8121

Europe and Africa

Dardilly, France - TOWERS
Tel: +33 (0) 4 72 18 20 20

Wilhelmshaven, Germany - MOBILE
Tel: +49 (0) 4421 294 0

APAC

Shanghai, China
Tel: +86 21 6457 0066

Singapore
Tel: +65 6264 1188

Middle East and India

Dubai, UAE
Tel: +971 4 8862677



This document is non-contractual. Constant improvement and engineering progress make it necessary that we reserve the right to make specification, equipment, and price changes without notice. Illustrations shown may include optional equipment and accessories and may not include all standard equipment.